



CRAWLER SCISSOR LIFT

SC0407E

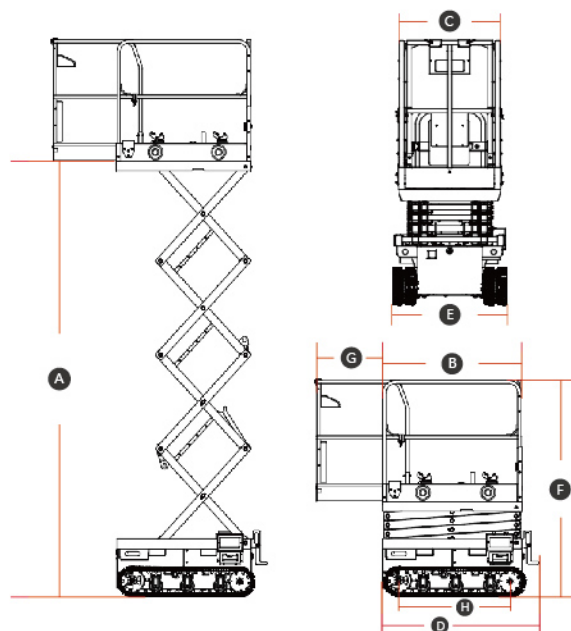


- Easy to navigate slopes or uneven ground, excellent performance across obstacles, ideal for harsh construction environments.
- Compact in size with 360 degree turning radius, suitable for use in narrow spaces.
- Dual joystick controller as standard, single joystick as optional, adapts to different operating needs.
- Large-screen ECU, easy to operate, user friendly.
- Pull out battery tray and removable side cover of motor-makes maintenance convenient.

LGMG Crawler Scissor Lift

SPECIFICATIONS

Measurements	
Work Height Max.	6.5m
A Platform Height-Raised	4.5m
B Platform Length	1.288m
C Platform Width	0.7m
D Overall Length	1.435m
E Overall Width	0.78m
F Overall Height-Guardrails Up	1.99m
G Extension Deck	0.6m
H Wheelbase	1m
Ground Clearance(Stowed/Raised)	65mm/65mm
Productivity	
Max. Platform Occupants (In/out)	1/0
Platform Capacity	200kg
Platform Capacity-Extension Deck	115kg
Gradeability-Stowed	25%
Min. Turning Radius	Turning on the spot
Raise/Lower Speed	20s/20s
Power	
Power Source	24V 130Ah
Hydraulic System	
Hydraulic Oil Capacity	4L
Weight	
Machine Weight(CE)	800kg



STANDARD FEATURES

Proportional control	Overload sensing system
Emergency stop device	Descent alarm with flashing beacon
Emergency descent	Foldable ladder
Limit driving when lifting	All motions alarm
Self-lock entry gate	Intelligent diagnostic system
Tilt alarm with lift cut-out	Non-marking crawlers
Foot switch	Maintenance-free battery

OPTIONAL

AC power to platform	Platform anti-collision device
Voice alarm system	Telematics

Please contact LGMG or a local dealer for more details.
LGMG reserves the right to change technical data without prior notice. All photos and pictures in this brochure are for promotional purposes only.
This brochure comes into effect in May,2022.

LINGONG HEAVY MACHINERY CO., LTD.

Address: No. 2676, Kejia Road, Jinan, Shandong, China
Email: sales@lmg.com.cn Tel: +86 531 6787 9283

LGMG Europe B.V.

Address: Laanweg 16 3208LC Spijkenisse Rotterdam, The Netherlands
Email: sales@lmg-europe.com Tel: +31 850 642 777

LGMG North America Inc.

Address: 1445 Sheffler Dr, Chambersburg, PA. 17201, USA
Email: sales@lmg-na.com Tel: +1 833 288 5464

www.lmg-lifts.com



LGMG
RELIABILITY IN ACTION