



VERTICAL MAST LIFTS

M0810JE



- Great maneuverability easy to operate within tight spaces. With "up-and-over" capability, 3.2m jib and larger working envelope.
- Eco-friendly, zero-emission, highly efficient electric drive, more productive with longer working hours.
- Easy to maintain with lower cost on repairs.
- Compact size and light weight, easy to transport.

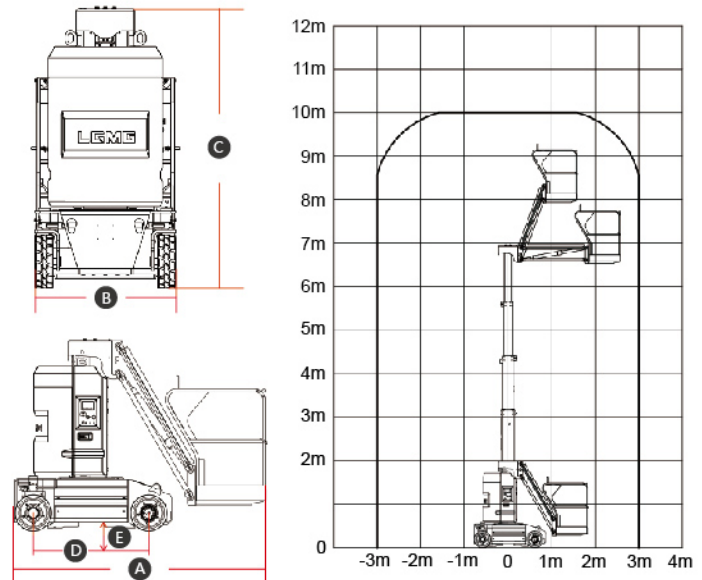
LGMG Vertical Mast Lifts

SPECIFICATIONS

Measurements	
Working Height	10m
Platform Height(Raised)	8m
Horizontal Outreach	3.2m
Up and Over Clearance Max.	6.6m
Platform Size(L×W)	0.98x0.8m
A Overall Length	2.6m
B Overall Width	1m
C Overall Height(Stowed)	1.99m
D Wheelbase	1.2m
E Ground Clearance	0.1m
Productivity	
Platform Occupants Max. (In/Out)	2/1
Platform Capacity	200kg
Drive Mode	Rear Wheel
Brakes	Rear Wheel
Turntable Rotation	345°
Tailswing	0
Max. Drive Speed (Stowed)	5km/h
Max. Drive Speed (Raised)	0.6km/h
Gradeability	25%
Tire Size	380x130mm
Power	
Power Source	24V, 250Ah
Hydraulic Oil Capacity	6.5L
Machine Weight	2750kg

STANDARD FEATURES	
Emergency stop device	Full-height drive
Brake release	Charge protection system
Emergency descent	All motions alarm
Tilt alarm	Solid non-marking tires
Descent alarm with flashing beacon	2 wheel drive, 2 wheel steering
Hour meter	Manual emergency pump

OPTIONAL	
Half double door platform	Voice alarm system
AC power to platform	Telematics
Platform anti-collision device	



Please contact LGMG or a local dealer for more details.
 LGMG reserves the right to change technical data without prior notice. All photos and pictures in this brochure are for promotional purposes only.
 This brochure comes into effect in May,2022.

LINGONG HEAVY MACHINERY CO., LTD.

Address: No. 2676, Kejia Road, Jinan, Shandong, China
 Email: sales@lmgm.com.cn Tel: +86 531 6787 9283

LGMG Europe B.V.

Address: Laanweg 16 3208LC Spijkenisse Rotterdam, The Netherlands
 Email: sales@lmgmeurope.com Tel: +31 850 642 777

LGMG North America Inc.

Address: 1445 Sheffler Dr, Chambersburg, PA. 17201, USA
 Email: sales@lmgmna.com Tel: +1 833 288 5464

www.lmgmlifts.com

