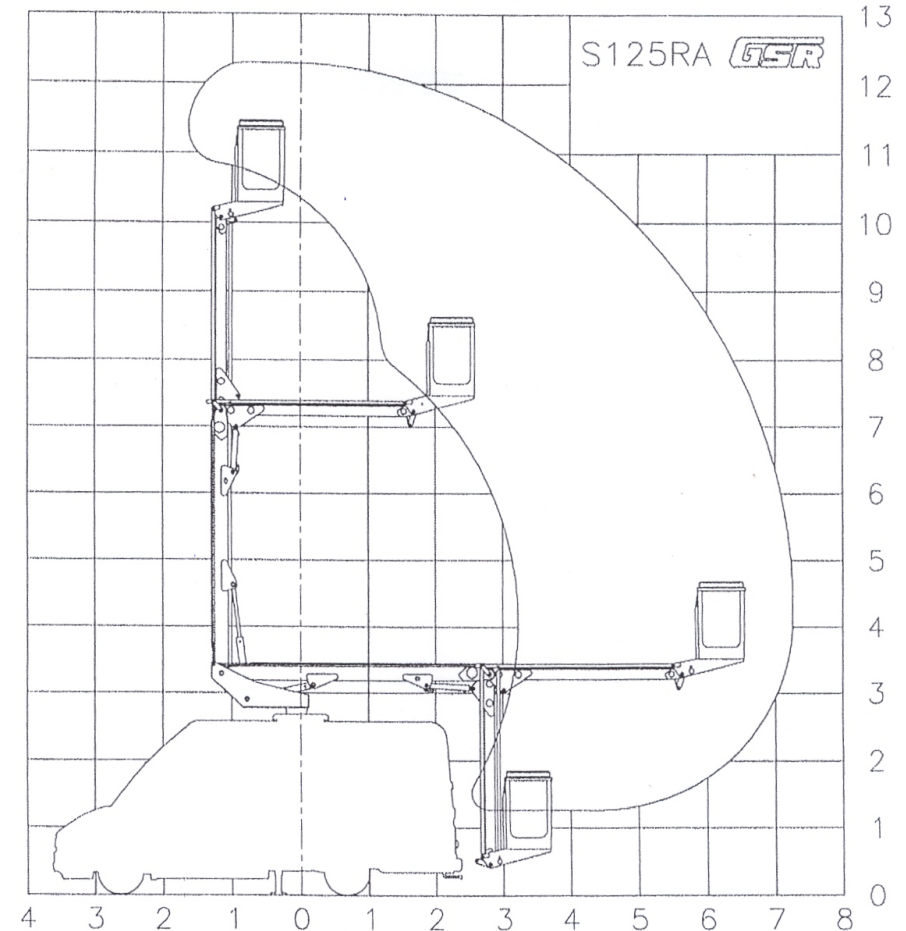
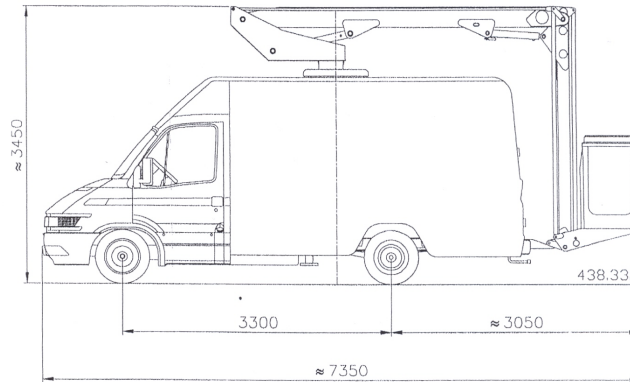


# SPECIFICATION SHEET

## Type: Skyking GSR S125RA

Working Height	12.5 m
Working Outreach	7.7 m
Safe Working Load	200 kg
Rotation	+/- 180 degrees
Transport Height (depending on chassis)	3.3 m
Transport Length (depending on chassis)	7.5 m
Transport Width	2.0 m
Outrigger Width (C/C)	2.2 m
Fibre Glass Working Cage (length x width x height)	0.7 x 1.1 x 1.1 m
GVW	3,500 - 5,600 kg



Specifications subject to change without notice.  
Photos and diagrams in this sheet are for promotional purposes only.  
Refer to appropriate operator's manual for detailed instructions on the proper use and maintenance of this equipment.  
Working height=platform height+2m.  
Wind tolerance is displayed on each machine.  
Manufacturer's specifications - Non-contractual documents.

**Tel: 0845 6041134**