

nifty



HR12 SELF PROPELLED ACCESS PLATFORM



12.20m (40ft)
Working height

6.10m (20ft)
Working outreach

Telescopic Upper Boom
Greater accuracy when
positioning platform

1.50m Chassis Available
Improved narrow aisle access

Weight Under 3.1 Tonnes
Low cost transportation

**Fully Proportional
Hydraulic Controls**
Simple, reliable &
easy to maintain

Bi-Energy Available
Optimising Utilisation



niftylift.com

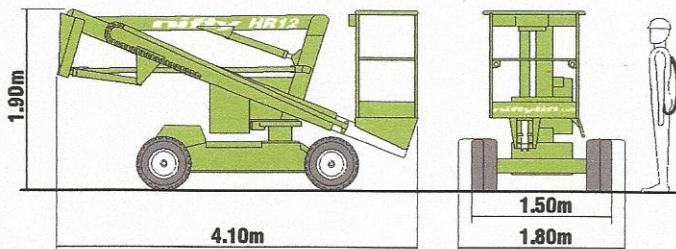
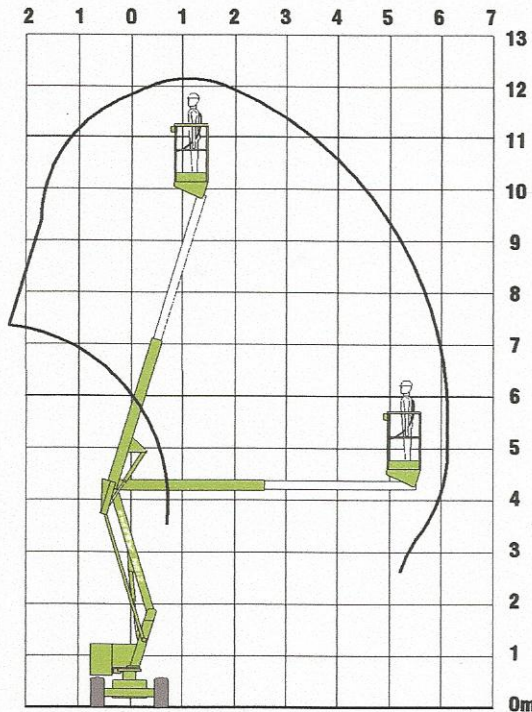
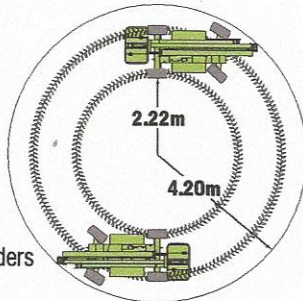


nifty Heightrider 12

The Nifty **Height Rider 12** is one of the most versatile and reliable machines in its class. It is specifically designed to give maximum reach performance from the lightest, most compact base possible. A telescopic upper boom gives improved accuracy when positioning the platform and superb manoeuvrability makes it ideal for a wide range of applications.

SAFETY FEATURES

- Automatic Failsafe Brakes
- Tilt Alarm
- Foam Filled or Solid Tyres
- Manual Descent with Hand Pump
- Dual Controls (Platform & Base)
- Lock Valves on all Hydraulic Cylinders
- Dual Harness Points
- CE Mark



Due to a policy of continuing development and improvement, Niftylift reserves the right to change any specification without notice. Please confirm exact specification before ordering.



The **HR12's** Bi-Energy option allows it to work for extended periods inside and outside, making it the perfect all-rounder.

SPECIFICATIONS

Working Height	12.20m	40ft
Platform Height	10.20m	33ft 5in
Working Outreach	6.10m	20ft
Slew	360°	
Width - Standard	1.80m	5ft 11in
- Narrow	1.50m	4ft 11in
Height	1.90m	6ft 3in
Length	4.10m	13ft 5in
Minimum Weight - Standard	2,630kg*	5,800lbs*
- Narrow	3,060kg*	6,750lbs*
Turning Radius - Inside	2.22m	7ft 3in
- Outside	4.20m	13ft 9in
Platform Capacity	200kg	440lbs
Platform Size	1.10m x 0.65m	3ft 7in x 2ft 2in
Drive Speed	2.1mph	3.4 kph
Gradeability	25%	
Control System	Fully Proportional Hydraulic	
Power Options	Battery Only Petrol, Diesel or LPG Only Bi-Energy (Engine & Battery)	

* Weights may vary according to specification, please confirm before ordering.

Supplied by:

Available from:

Access Platform Sales Ltd

Leewood Business Park • Upton • Huntingdon • PE17 5YQ
Telephone (01480) 891251 • Facsimile (01480) 891162
Website <http://www.aps-ltd.co.uk>