

LEGUAN

ARTICULATING BOOM LIFTS

125 SERIES



- **LEGUAN 90**
- **LEGUAN 110**
- **LEGUAN 125**

125 SERIES

FULL HYDRAULIC

- full time hydraulic 4WD
- easy to drive
- direct hydraulic soft touch system
- stepless driving speed
- no outreach limit switches
- minimized service requirements

ALL FUNCTIONS CAN BE OPERATED ON THE PLATFORM !

NO RESTRICTIONS. OPERATES OVER THE WHOLE WORKING AREA WITH FULL LOAD ON PLATFORM !

MECHANICAL STOPS FOR MOVEMENTS!



	LEGUAN 90	LEGUAN 110	LEGUAN 125
Maximum Working Height	9,30 m	11,0 m	12,5 m
Maximum Platform Height	7,30 m	9,0 m	10,5 m
Maximum Horizontal Reach	3,50 m	5,35 m	5,8 m
Safe Working Load	215 kg	135 kg	135 kg
Transport Length with Platform	4,40 m	4,40 m	5,0 m
Transport Length without Platform	3,85 m	3,85 m	4,4 m
Overall Height	1,70 m	1,70 m	1,8 m
Overall Width:			
Normal Tyres	0,96 m	0,96 m	0,96 m
Narrow Tyres	0,87 m	0,87 m	0,87 m
Platform Size	0,87 x 0,65 m	0,87 x 0,65 m	0,87 x 0,6 m
Boom Slewing	357 °	357 °	357 °
Gradeability	35 %	35 %	35 %
Outrigger Spread Working	2,8 x 3,0 m	2,8 x 3,00 m	3,0 x 3,2 m
Maximum Slope for Outriggers	25 %	25 %	25 %
Weight	~950 kg	~1100 kg	~1300 kg
Hydraulic Outriggers	standard	standard	standard
Drive	4WD	4WD	4WD
Jockey Wheel	option	option	standard
Powered by	HONDA 13 Hp petrol		
Battery Type	1 x 43 Ah Starting		
Battery Charger	Automatic		

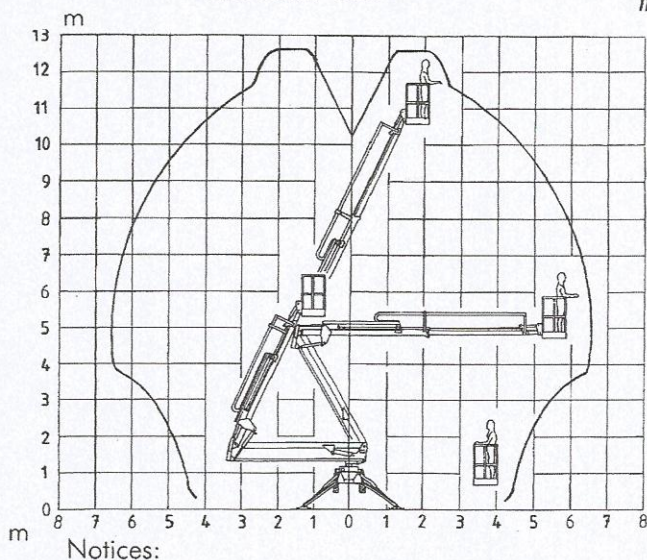
STANDARD FEATURES INCLUDE:

- 4WD
- Hydraulic telescope (not in Leguan 90)
- Honda 13 Hp petrol engine, electric start
- Hydraulic outriggers
- SetUp outrigger control
- CE-certification

AVAILABLE OPTIONS

- 230 V (110 V) at platform
- Dual Power Honda 13 Hp/ 230 V (110 V)
- Water hose to platform
- High pressure hose to platform
- Hour meter
- Larger platform
- Steel tracks
- Steel / rubber tracks
- Special painting
- Green plastic pads
- Generator 2,5 kWA
- Hydraulic high pressure washer
- Jockey wheel

LEGUAN 125



Available from:

Access Platform Sales Ltd

Leewood Business Park • Upton • Huntingdon • PE17 5YQ
 Telephone (01480) 891251 • Facsimile (01480) 891162
 Website <http://www.aps-ltd.co.uk>