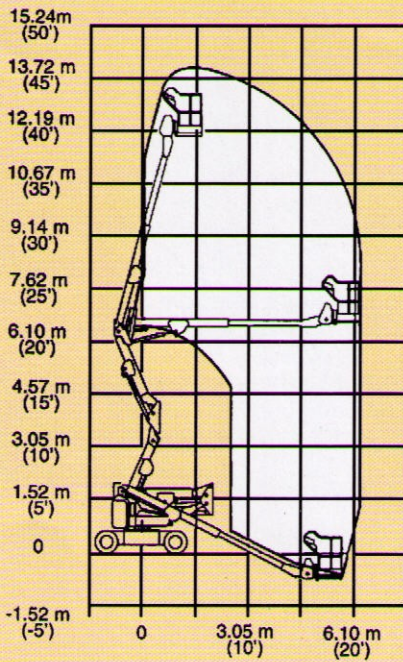


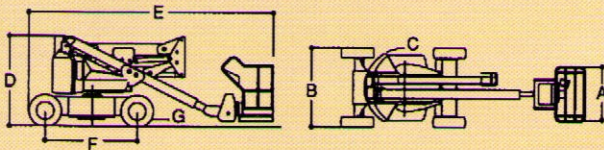
# 40 & n40 electric



**REACH DIAGRAM**

**REACH SPECIFICATIONS**

Platform Height	12.19 m (40 ft.)
Horizontal Outreach	6.25 m (20 ft. 6 in.)
Up and Over Clearance	6.1 m (20 ft.)
Turntable Rotation	360° (non continuous)
Platform Capacity	227 kg (500 lbs.)
Platform Rotator	110° Hydraulic



**DIMENSIONAL DATA**

A. Platform Size	0.66 m x 1.22 m (26 in. x 48 in.)
B. Overall Width Model 40	1.75 m (5 ft. 9 in.)
Overall Width Model n40	1.5 m (4 ft. 11 in.)
C. Tailswing (working condition) Model 40	Zero
Tailswing (working condition) Model n40	0.13 m (5 in.)
D. Stowed Height	2.0 m (6 ft. 7 in.)
E. Stowed Length Model 40	5.36 m (17 ft. 7 in.)
Stowed Length Model n40	5.28 m (17 ft. 4 in.)
F. Wheelbase	2.0 m (6 ft. 7 in.)
G. Ground Clearance Model 40	0.15 m (6 in.)
Ground Clearance Model n40	0.10 m (4 in.)
Gross Vehicle Weight Model 40*	5,100 kg (11,235 lbs.)
Gross Vehicle Weight Model n40*	5,366 kg (11,830 lbs.)

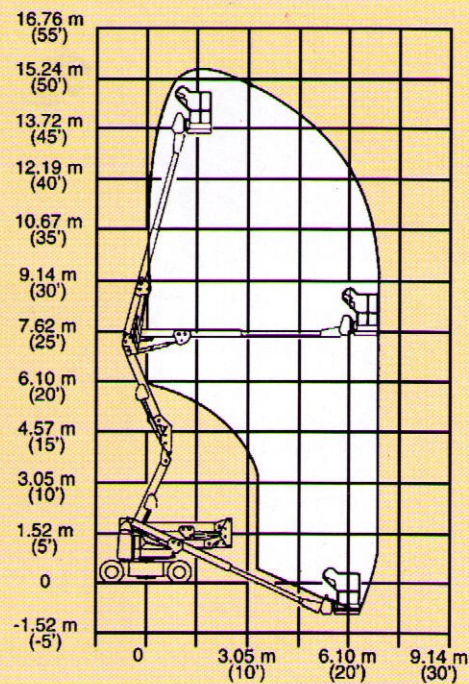
**CHASSIS**

Drive Speed Model 40	4.8 kph (3.0 mph)
Drive Speed Model n40	4.0 kph (2.5 mph)
Gradeability	25%
Tyres Model 40	foam filled G78 - 15
Tyres Model n40	solid rubber 22 x 6 x 16
Axle Oscillation	0.03 m (1 in.)
Turning Radius (outside) Model 40	4.17 m (13 ft. 8 in.)
Turning Radius (inside) Model 40	1.31 m (4 ft. 3 in.)
Turning Radius (outside) Model n40	3.61 m (11 ft. 10 in.)
Turning Radius (inside) Model n40	1.60 m (5 ft. 3 in.)

**POWER SYSTEM**

Electrical System	48V DC
Batteries	eight 6V 370 amp-hr
Drive Motors	two series wound fan cooled electric traction motors
Brakes	spring applied electrically released multiple discs
Hydraulic Motor/Pump	perm. magnet motor/single sect. gear pump
Hydraulic Reservoir	15.1 L
Manual Lowering	lever actuated hand pump

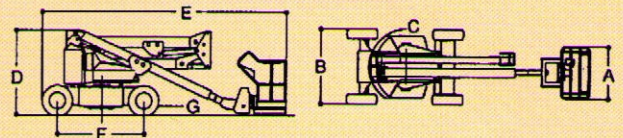
# 45 electric



**REACH DIAGRAM**

**REACH SPECIFICATIONS**

Platform Height	13.72 m (45 ft.)
Horizontal Outreach	6.91 m (22 ft. 8 in.)
Up and Over Clearance	7.49 m (24 ft. 7 in.)
Turntable Rotation	360° (non continuous)
Platform Capacity	227 kg (500 lbs.)
Platform Rotator	110° Hydraulic



**DIMENSIONAL DATA**

A. Platform Size	0.66 m x 1.22 m (26 in. x 48 in.)
B. Overall Width	1.75 m (5 ft. 9 in.)
C. Tailswing (working condition)	Zero
D. Stowed Height	2.0 m (6 ft. 7 in.)
E. Stowed Length	5.69 m (18 ft. 8 in.)
F. Wheelbase	2.0 m (6 ft. 7 in.)
G. Ground Clearance	0.15 cm (6 in.)
Gross Vehicle Weight*	5,950 kg (13,105 lbs.)

**CHASSIS**

Drive Speed	4.3 kph (2.6 mph)
Gradeability	25%
Tyres	foam filled 215/85R16
Axle Oscillation	0.03 m (1 in.)
Turning Radius (outside)	4.17 m (13 ft. 8 in.)
Turning Radius (inside)	1.31 m (4 ft. 3 in.)

**POWER SYSTEM**

Electrical System	48V DC
Batteries	eight 6V 370 amp-hr
Drive Motors	two series wound fan cooled electric traction motors
Brakes	spring applied electrically released multiple discs
Hydraulic Motor/Pump	perm. magnet motor/single sect. gear pump
Hydraulic Reservoir	15.1 L
Manual Lowering	lever actuated hand pump

\* Gross vehicle weights may vary dependent on regional requirements.  
Specification may change to meet country standards or with the addition of optional equipment