



IG 4080



Standard equipment

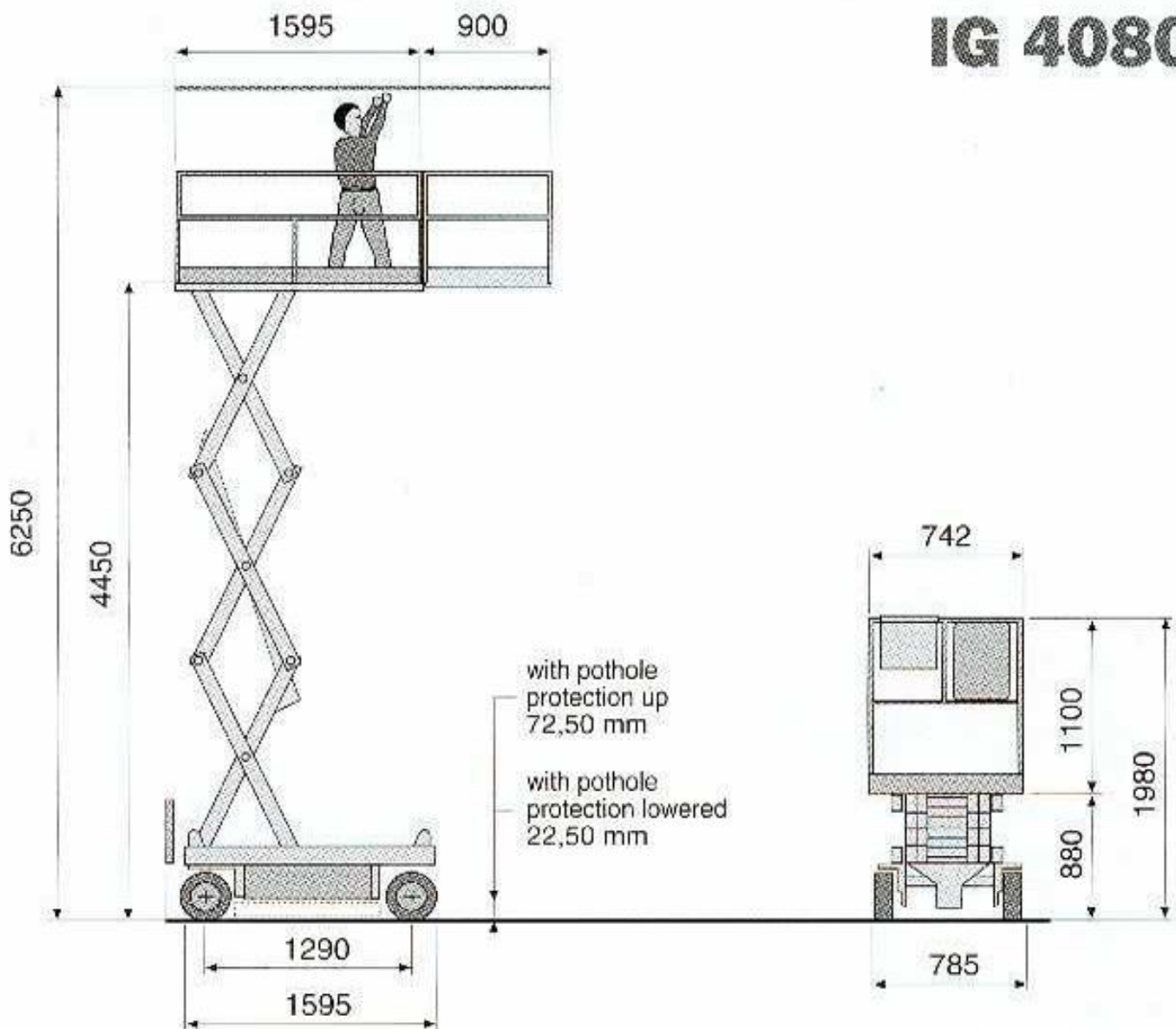
- Front hydraulic drive with electrical controls on platform. 3 selectable drive speeds.
- Negative parking brakes with hydraulic disengagement.
- 90° steering.
- Manual platform extension 0.90 m.
- Horn.
- Manual emergency lowering device.
- Cylinder holding valve.
- Battery 24 V – 205 Ah – (C5.)
- Battery charger with automatic switch-off 24 V – 40 A.
- Audible motion alarm.
- Inclinometer with motion blocking device and alarms.
- Mechanical wheel drive release for emergency hauling.
- Battery cut-out plug.
- Cushion non-marking tyres 305 x 90.
- Electrical scissor protections.
- Pothole protections.
- Battery control system with low-voltage cut-out protection.
- Hourmeter.
- CE / pr. EN 280 marking.

Options

- 220-V cable with plug, socket and safety cut-out.
- Black cushion tyres 305x90.
- Flashing beacon.
- Proportional controls with diagnostics.

iteco





Technical specifications

Capacity	kg	265
Capacity on extension	kg	165
Lift time	s	16
Lower time	s	20
DC motor operation	V/Kw	24/2.10
Battery voltage	V	24
Battery capacity	Ah	205 (C5)
Battery mass	kg	4x30
Battery charger	V/A	24/40
Max. hydraulic pressure	bar	195
Oil tank capacity	l	7
Speed (fast)	Km/h	4
Speed (slow)	Km/h	2
Safety speed	Km/h	1
Gradeability	%	25
Inside turning radius	m	0,02
Outside turning radius	m	1,55
Tyre dimensions	mm	305x90
Tyre type		cushlon
Total weight	kg	940