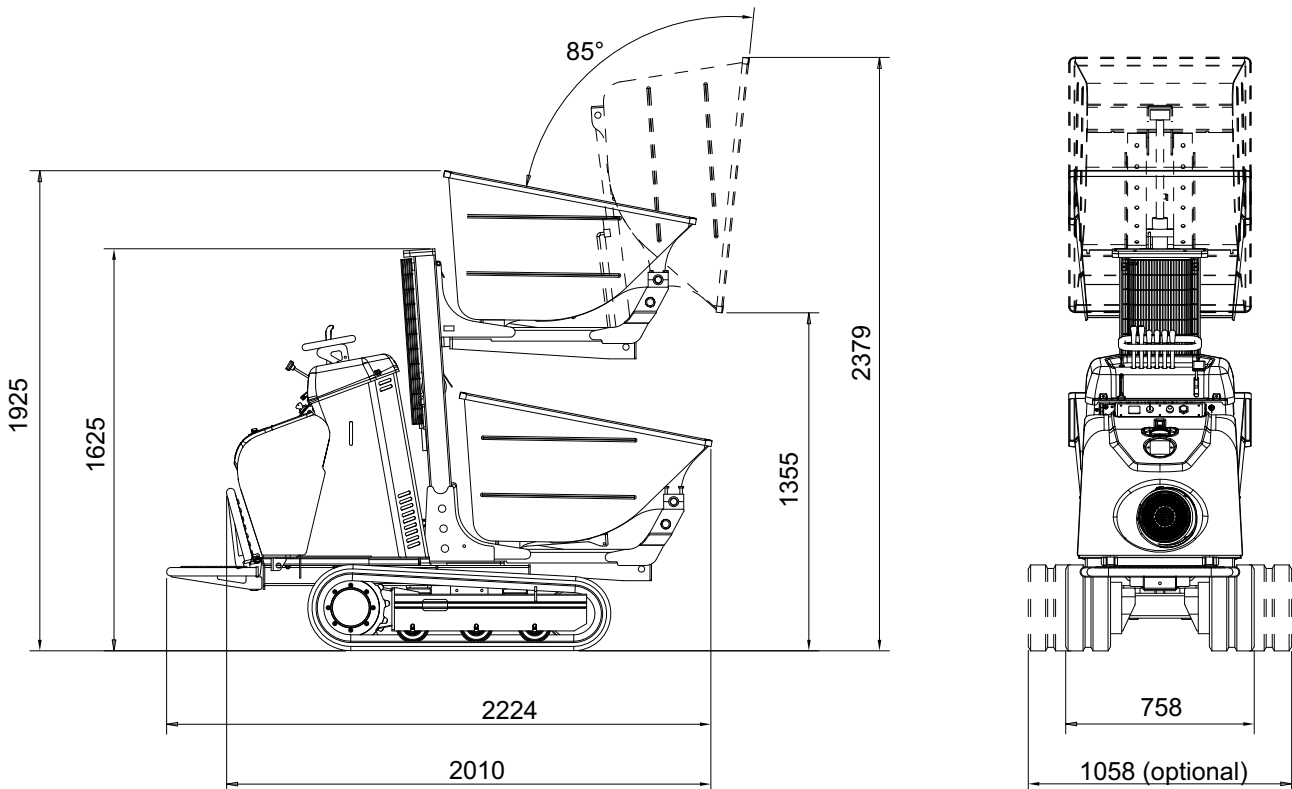


HS701 HIGH-TIP DUMPER BED



HS701 HIGH-TIP DUMPER BED

PETROL ENGINE

Brand and type.....Honda GX270
 Pistons and displacementsingle-cylinder 270 cc
 Max gross power8,4 HP - 6,3 kW @ 3600 rpm
 Starting.....electric 12 volt
 Fuel tank5,3 liters
 Granted noise levelLwa 99 dB

DIESEL ENGINE

Brand and type.....KUBOTA OC 95
 Pistons and displacementsingle-cylinder 416 cc
 Max gross power9,4 HP - 7,0 kW @ 3600 rpm
 Starting.....electric 12 volt
 Fuel tank5,5 liters
 Granted noise levelLwa 101 dB

DISTRIBUTOR

Type mechanical

HYDRAULIC PUMPS

Number and typen° 3 gear pumps

TRACKS

Track tensioner.....grease
 Track width180 mm
 Rollers per side3
 Undercarriage width open/close758 - 1058 mm

PERFORMANCE

Translation speed petrol engine2,2 - 3,3 km/h
 Translation speed diesel engine2,2 - 3,3 km/h
 Max. inclination15° (diesel version and dumper bed lowered)

CAPACITY..... 550 kg

DUMPER BED CAPACITY

Rated volume (ISO 6483)0,29 m³
 Struck volume0,24 m³

OPERATING WEIGHT (without operator)

Fixed/widening undercarriage - petrol engine.....620 kg / 700 kg
 Fixed/widening undercarriage - diesel engine.....660 kg / 740 kg