

# Hinowa®

PREVIEW



Tracked  
Minitransporter  
with high-tip  
tilting bucket

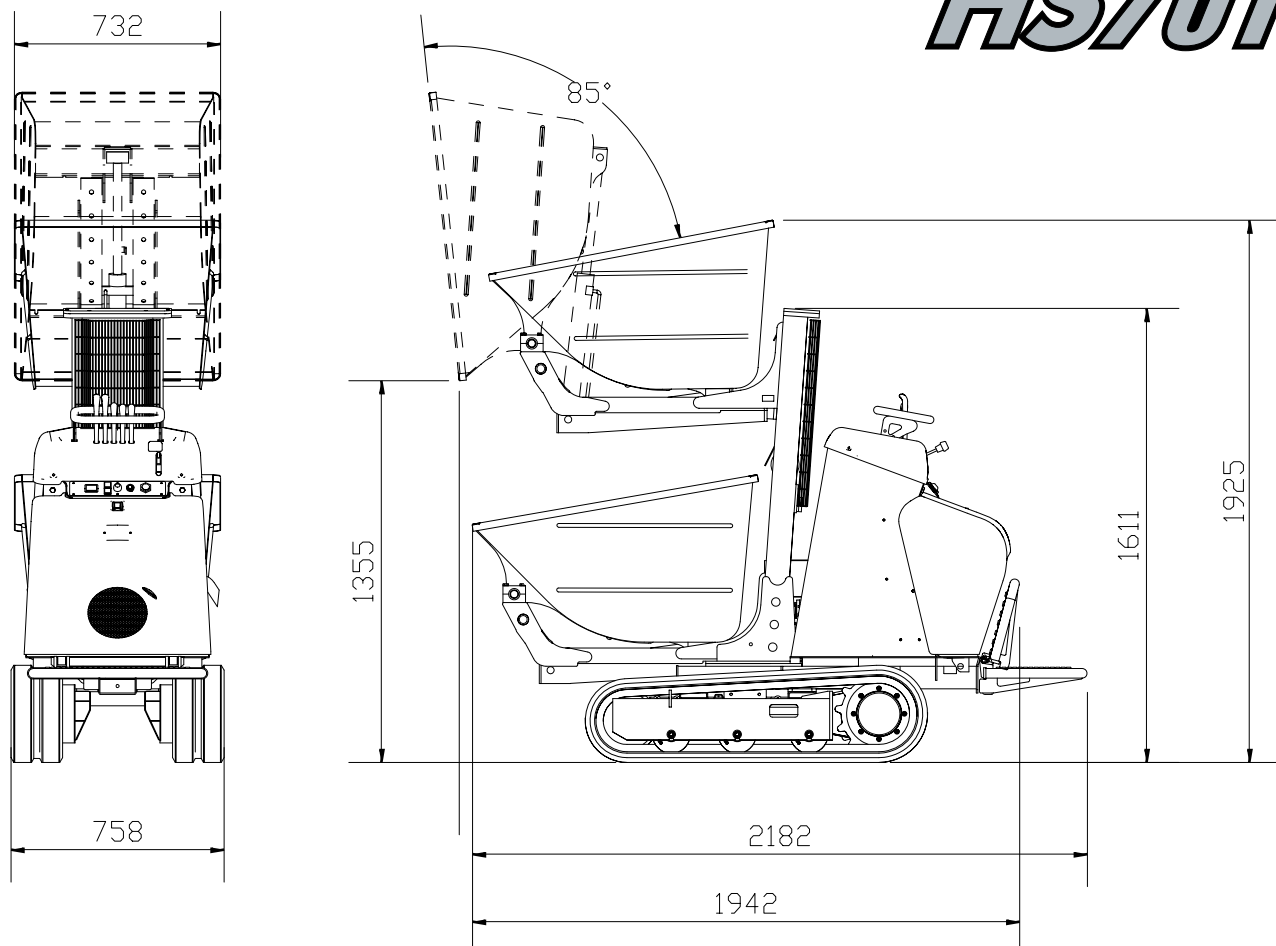
**HS701**





## PREVIEW

# HS701



Max Loading capacity	550 kg
Rated capacity ISO6483	0,29 m <sup>3</sup>
Travel speed front/rear	1 <sup>st</sup> speed 0-2.6 km/h
	2 <sup>nd</sup> speed 0-4 km/h
Engine	Kubota OC95 - Vertical 4 cycle Liquid cooled Diesel
Number of Cylinders	1
Displacement	416 cm <sup>3</sup>
Cooling system	Oil and air cooled
Max motor rpm	3400 rpm
Brake horsepower SAEJ1349 Net Intermittent	7,0 kW (9,4HP)
Electric start	12 volt



**HINOWA SPA**  
Via Fontana • 37054 Nogara  
Verona • Italy  
Tel. +39 0442 539100 • Fax +39 0442 539075  
hinowa@hinowa.it  
[www.hinowa.com](http://www.hinowa.com)