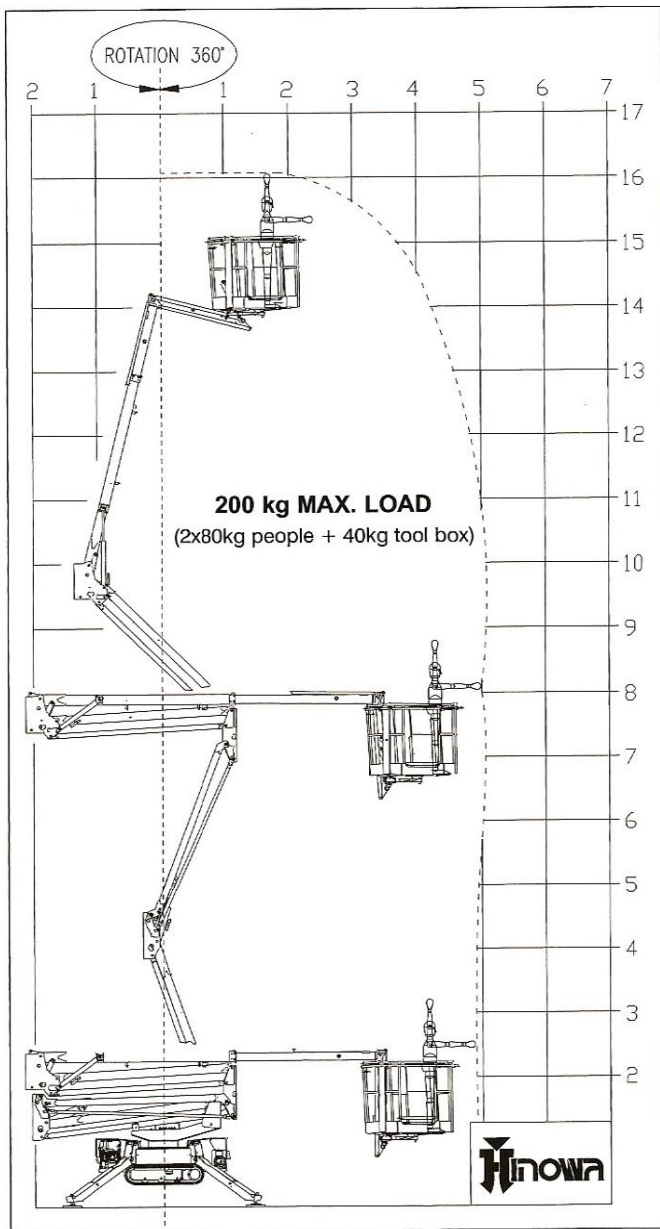


Hinowa

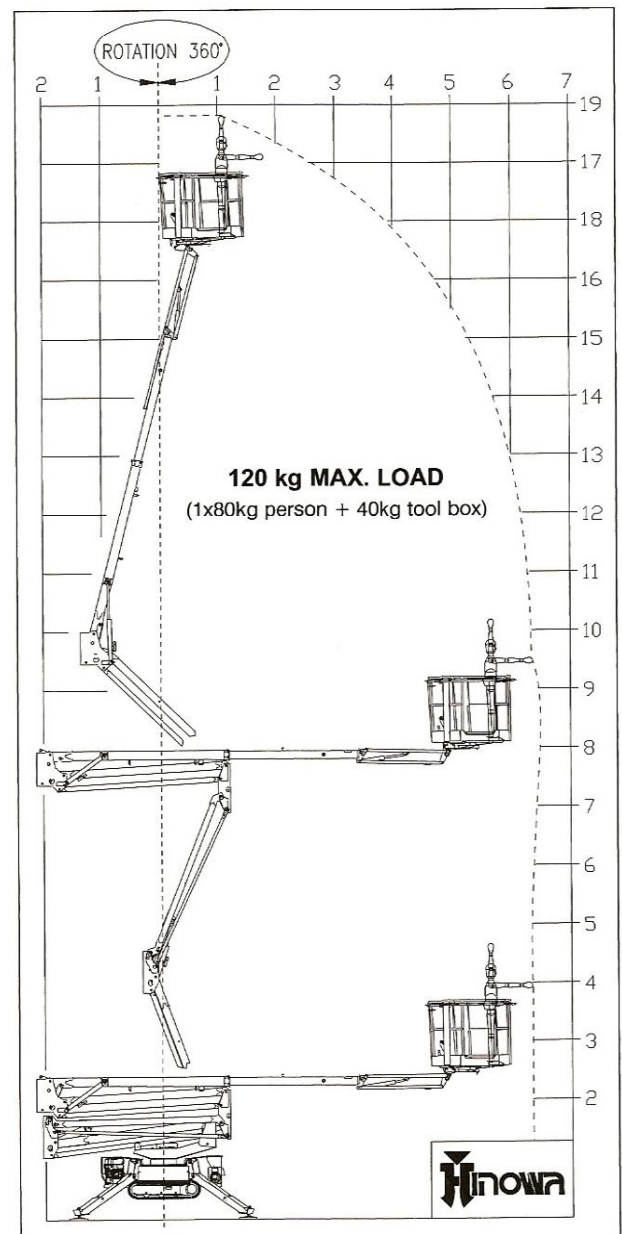
TRACKED AERIAL PLATFORM

LIGHT LIFT 19.65

- *Performance/compactness/weight ratio puts it on the top of its category*
- *Working height approx 19 meters with 120 kg capacity*
- *Working height more than 16 meters with 200 kg capacity*



- *Accessibility through standard doors (2100mm x 800mm)*
- *Rotating basket 124° (+/- 62°)*
- *Opportunity to work on a vertical wall with 11 metres as maximum straddle*
- *iGX Honda engine with electronic control super silenced*
- *Automatic choke*
- *Hinowa patented load sensor*
- *Patented turret rotation at 360° non continuous*
- *Widening system*
- *Removable remote control to control the movement at distance*
- *Safety spirit level*



HINOWA SPA Via Fontana - 37054 Nogara - VERONA
Tel. +39 0442 539100 Fax +39 0442 539075
hinowa@hinowa.it www.hinowa.com

TECHNICAL DATA

	CAPACITY 200kg	CAPACITY 120kg
PLATFORM HEIGHT (floor)	14000mm	16740mm
MAX.WORKING HEIGHT	16100mm	18840mm
STANDARD BASKET DIMENSIONS	1300x600xH1100mm	
HORIZONTAL REACH	4740mm	6150mm
MAX. HORIZONTAL WORKING REACH	5090mm	6500mm
SLEWING (not continuous)	360°	
BASKET ROTATION	124°(+/-62°)	
PLATFORM CAPACITY	200kg	120 kg
N° of OPERATORS	2	1
JIB-TYPE SWIVEL HEAD	/	85°(-1°/-86°)
MAX. WORK SLOPE	1°/2,2%	
TOTAL WEIGHT	2050 kg	
THERMAL MOTOR	HONDA iGX440-15CV-3600 rpm	
ELECTRIC MOTOR	2,2 kw/220V/50Hz 1500 rpm	
.....	(optional) 2,2 kw/110V/50Hz 1500 rpm	
ELECTRIC PLANT VOLTAGE	12 V	
MAX. WIND SPEED	12,5 m/s	
MAX. ACCEPTED MANUAL FORCE	400 N	

