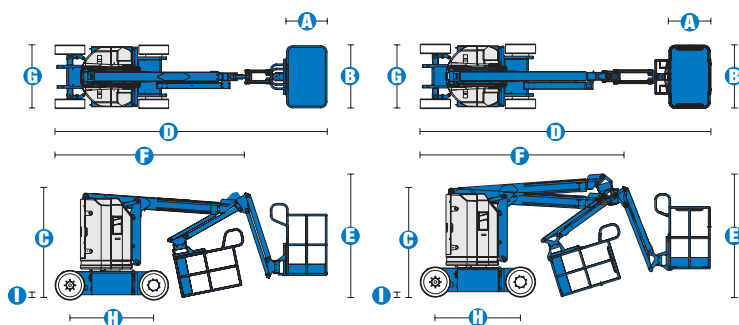


Specifications



| MODELS | Z™-30/20N | | Z™-30/20N RJ | |
|------------------------------------|-----------|-------------|--------------|-------------|
| MEASUREMENTS | Metric | US | Metric | US |
| Working height maximum* | 11.14 m | 36 ft | 10.89 m | 35 ft 2 in |
| Platform height maximum | 9.14 m | 30 ft | 8.89 m | 29 ft 2 in |
| Horizontal reach maximum | 6.53 m | 21 ft 5 in | 6.25 m | 20 ft 6 in |
| Up-and-over clearance | 3.86 m | 12 ft 8 in | 3.86 m | 12 ft 8 in |
| A Platform length | 76 cm | 2 ft 6 in | 76 cm | 2 ft 6 in |
| B Platform width | 1.17 m | 3 ft 8 in | 1.17 m | 3 ft 8 in |
| C Height - stowed | 2 m | 6 ft 6.5 in | 2 m | 6 ft 6.5 in |
| D Length - stowed | 5.11 m | 16 ft 9 in | 5.31 m | 17 ft 5 in |
| E Storage height | 2.08 m | 6 ft 10 in | 2.24 m | 7 ft 4 in |
| F Storage length | 3.5 m | 11 ft 6 in | 3.66 m | 12 ft |
| G Width | 1.19 m | 3 ft 11 in | 1.19 m | 3 ft 11 in |
| H Wheelbase | 1.60 m | 5 ft 3 in | 1.60 m | 5 ft 3 in |
| I Ground clearance - centre | 9 cm | 3.5 in | 9 cm | 3.5 in |

| PRODUCTIVITY | | | | |
|---------------------------|----------------------|---------------|----------------------|---------------|
| Lift capacity | 227 kg | 500 lbs | 227 kg | 500 lbs |
| Platform rotation | 180° | 180° | 180° | 180° |
| Vertical jib rotation | 139° | 139° | 139° | 139° |
| Horizontal jib rotation | — | — | 180° (+72°/-67°) | 180° |
| Turntable rotation | 355° non-continuous | | 355° non-continuous | |
| Turntable tailswing | zero | zero | zero | zero |
| Drive speed - stowed | 4.8 km/h | 3.0 mph | 4.8 km/h | 3.0 mph |
| Drive speed - raised** | 1.1 km/h | 0.68 mph | 1.1 km/h | 0.68 mph |
| Gradeability*** | 35% | 35% | 35% | 35% |
| Turning radius - inside | 1.65 m | 5 ft 5 in | 1.65 m | 5 ft 5 in |
| Turning radius - outside | 3.23 m | 10 ft 7 in | 3.23 m | 10 ft 7 in |
| Controls | 24 V DC proportional | | 24 V DC proportional | |
| Tyres - solid non-marking | 56x18x45 cm | 22x7x17.75 in | 56x18x45 cm | 22x7x17.75 in |

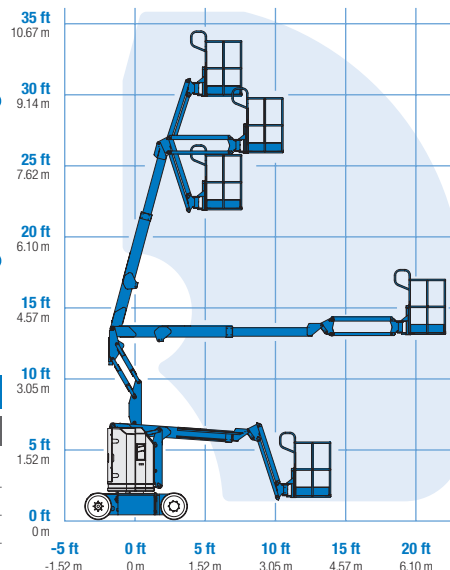
| POWER | | | | |
|-------------------------|--|---------|--|---------|
| Power source | 48 V DC (Eight 6 V batteries 350 Ah capacity) | | 48 V DC (Eight 6 V batteries 350 Ah capacity) | |
| Auxiliary power unit | 24 V DC | 24 V DC | 24 V DC | 24 V DC |
| Hydraulic tank capacity | 15.1 L | 4 gal | 15.1 L | 4 gal |

| WEIGHT**** | | | | |
|------------|----------|------------|----------|------------|
| | 6,428 kg | 14,170 lbs | 6,450 kg | 14,220 lbs |

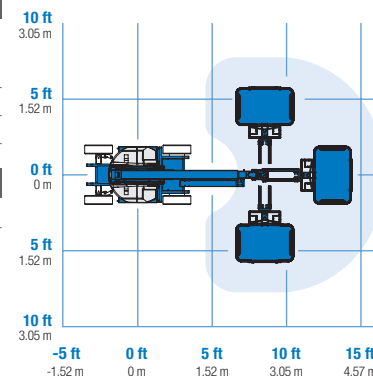
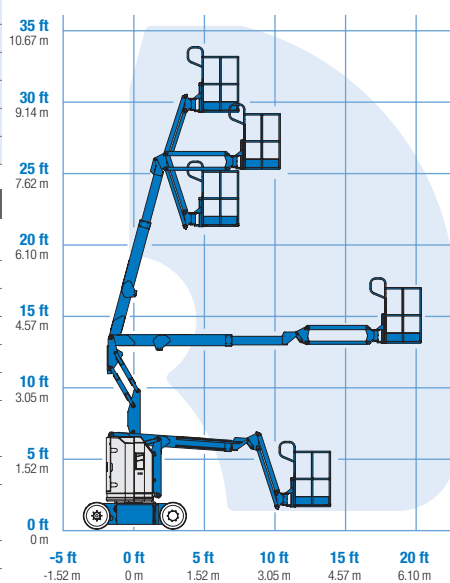
STANDARDS COMPLIANCE CE EN280, PB-10-611-03

* The metric equivalent of working height adds 2 m to platform height. U.S. adds 6 ft to platform height.
 ** In lift mode *(platform raised), the machine is designed to operate on firm, level surfaces only.
 *** Gradeability applies to driving on slopes. See Operator's Manual for details regarding slope ratings.
 **** Weight will vary depending on options and/or country standards.

RANGE OF MOTION Z™-30/20N



RANGE OF MOTION Z™-30/20N RJ



Features

EASILY CONFIGURED TO MEET YOUR NEEDS

PLATFORM

- Steel 1.17 m (3 ft 84 in) (standard)

JIB OPTIONS

- 1.22 m (4 ft) jib boom
- 1.22 m (4 ft) horizontal rotating jib boom

POWER

- 48 V DC power source

DRIVE

- 2 x 4

TYRES

- Solid rubber non-marking

STANDARD FEATURES

MEASUREMENTS

Z™-30N

- 11.14 m (36 ft) working height
- 6.53 m (21 ft 5 in) horizontal reach
- 3.86 m (12 ft 8 in) up-and-over clearance
- Up to 227 kg (500 lb) lift capacity

Z™-30N RJ

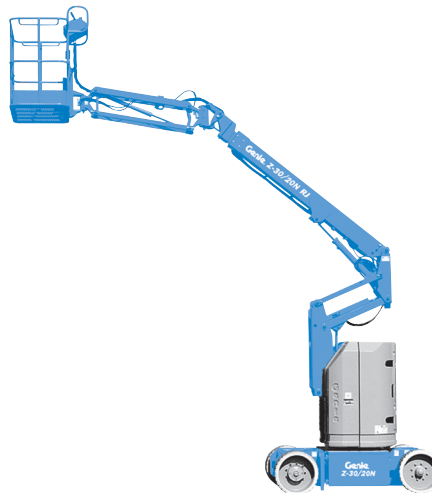
- 10.89 m (35 ft 2 in) working height
- 6.25 m (20 ft 6 in) horizontal reach
- 3.86 m (12 ft 8 in) up-and-over clearance
- Up to 227 kg (500 lb) lift capacity

PRODUCTIVITY

- 1.22 m (4 ft) jib boom with 139° working range
- Self-levelling platform
- Hydraulic platform rotation
- Fully proportional controls
- Thumb rocker steer
- Drive enable
- AC power to platform
- Horn
- Hour meter
- Tilt alarm
- Descent alarm
- 355° non-continuous turntable rotation
- Zero tailswing and front arm swing
- Sep-Ex drive system
- Certified load sensor

POWER

- 48 V DC deep cycle battery pack
- 24 V DC auxiliary power
- 25 Amp 48 V battery charger



OPTIONS & ACCESSORIES

PRODUCTIVITY

- Platform swing gate
- Half-mesh platform inserts with swing gate
- Air line to platform
- Deluxe aircraft protection package (Z30N only)
- Fire resistant hydraulic oil
- Biodegradable hydraulic oil
- Tool tray
- Fluorescent tube caddy
- Pipe cradle (pair)
- Flashing beacon
- Travel alarm
- Platform work lights
- Lockable platform control box cover
- Front driving lights

POWER

- Battery charge indicator (BCI)
- Low voltage interrupt with BCI

Distributed By:

UK

Millennium House
Brunel Drive
Newark NG24 2DE
UK
Tel: +44 (0)1476 584333
Fax: +44 (0)1476 584334

France

10, ZA de la Croix St. Mathieu
28320 Gallardon
France
Tel: +33 (0)2 37 26 09 99
Fax: +33 (0)2 37 26 09 98

Germany

Finienweg 3
28832 Achim/Bremen
Germany
Tel: +49 (0)4202 8852-0
Fax: +49 (0)4202 8852-25

Spain

Gaià 31, Pol. Ind. Plá d'en Coll
08110 Montcada i Reixac
Barcelona
Spain
Tel: +34 93 572 50 90
Fax: +34 93 572 50 91

Scandinavia

Importgatan 17
422 46 Hisings Backa
Sweden
Tel: +46 31 57 51 00
Fax: +46 31 57 90 20

Middle East

Terex Middle East
PO Box 282325, Dubai
U.A.E.
Tel: +971 4 885 8030
Fax: +971 4 885 6364
Email: awp.infome@terex.com

Genie United States

18340 NE 76th Street
P.O. Box 97030
Redmond, WA
USA 98073-9730
Tel: +1 425 881-1800
Fax: +1 425 883-3475

Email: AWP-InfoEurope@terex.com