

Specifications

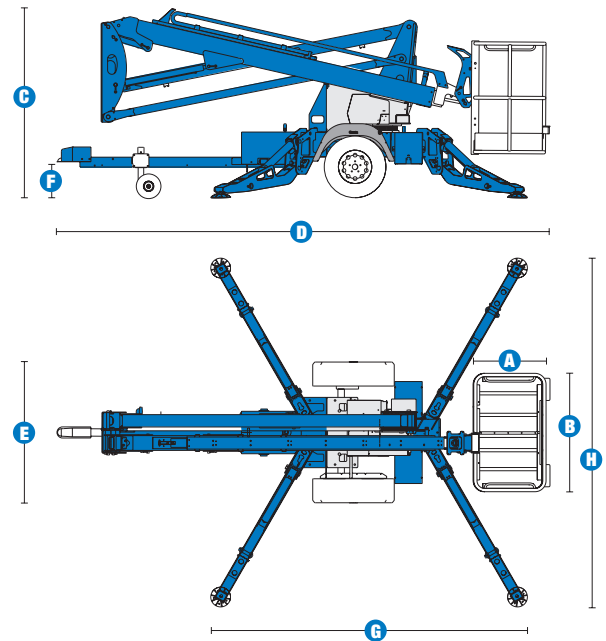
MODEL		TZ™-34/20	
MEASUREMENTS		Metric	US
Working height*		12.36 m	40 ft
Platform height		10.36 m	34 ft
Entry height - extended		16 cm	6.4 in
Horizontal reach		5.59 m	18 ft 4 in
Clear out reach		4.09 m	13 ft 5 in
Up-and-over clearance		4.90 m	16 ft 1 in
A Platform length		68 cm	2 ft 2.8 in
B Platform width		1.12 m	3 ft 8 in
C Height - stowed		1.94 m	6 ft 4.5 in
D Length - stowed		5.50 m	18 ft .5 in
E Width - stowed		1.45 m	4 ft 9.1 in
F Ground clearance		24 cm	9.5 in
G Length - outrigger footprint		3.26 m	10 ft 8.4 in
H Width - outrigger footprint		3.59 m	11 ft 9.4 in

PRODUCTIVITY			
Lift capacity - standard		200 kg	440 lbs
Lift capacity - rotating platform		181 kg	400 lbs
Self levelling platform		standard	standard
Platform rotation option		90° mechanical	90° mechanical
AC power to platform		standard	standard
Turntable rotation		359° non-continuous	
Outrigger levelling capability		10.5°	10.5°
Towing speed rate		97 km/h	60 mph
Tongue weight		74 kg	163 lbs
Surge and parking brakes		standard	standard
Controls		variable speed system	
Tyre size		185 R14C tyres	
Coupler		50 mm ball coupler	

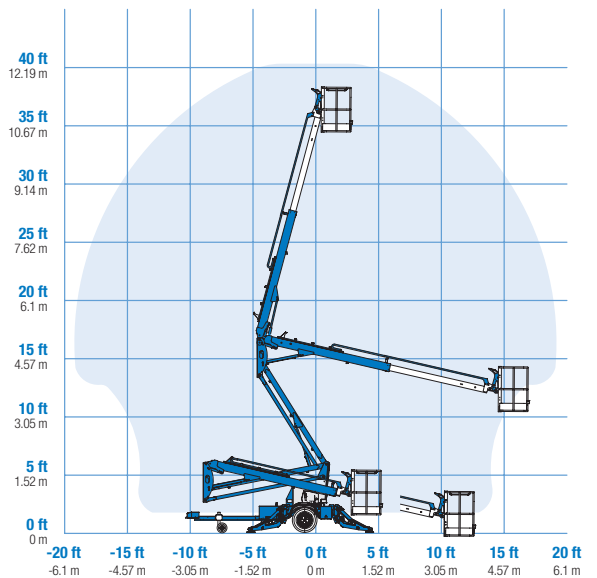
POWER			
Power source		24 V DC (four 6 V 225 Ah batteries)	
Hydraulic tank capacity		14.57 L	3.85 gal
Hydraulic system capacity		17 L	4.5 gal

WEIGHT**			
		1,438 kg	3,170 lbs
Unit weight modifiers for main options		Bicycle guard: add 15 kg (32 lbs)	
		Full size spare tyre: add 27 kg (60 lbs)	

STANDARDS COMPLIANCE CE EN280, PB-10-611-03



RANGE OF MOTION TZ™-34/20



* The metric equivalent of working height adds 2 m to platform height. U.S. adds 6 ft to platform height.
 ** Weight will vary depending on options and/or country standards.

Features

EASILY CONFIGURED TO MEET YOUR NEEDS

PLATFORM OPTIONS

- Aluminium .68 x 1.12 m (26.8 x 44 in)
- 90° mechanical platform rotation

POWER

- 24 V DC power source

COUPLER OPTIONS

- 50 mm ball coupler

TYRE

- 185 R14C tyres

STANDARD FEATURES

MEASUREMENTS

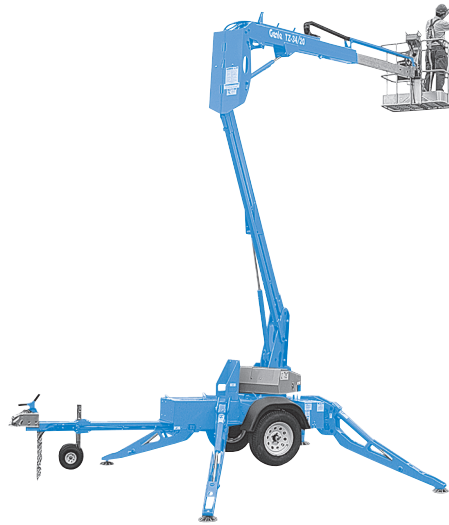
- 12.36 m (40 ft) working height
- 5.59 m (18 ft 4 in) horizontal reach
- Up to 200 kg (440 lb) lift capacity

PRODUCTIVITY

- Industry leading working envelope
- Extension boom
- Self-levelling platform
- Variable speed control system
- AC wiring to platform
- Hydraulic outriggers
- Automatic 10.5° levelling system
- Outrigger interlocks
- Mechanical parking brake
- Hydraulic surge brakes
- Auxiliary pump down
- 50 mm ball coupler
- Dual jockey wheels
- 355° non-continuous turntable rotation
- Easy to access batteries
- Hour meter
- Tilt alarm / sensor
- Forklift pockets
- Illuminated outrigger indicators
- Certified load sensor
- Wheel chocks
- Spare tyre
- Battery charge indicator (BCI)
- Descent alarm
- Automatic battery charger

POWER

- 24V DC power source
(four 6V 225 Ah batteries)



OPTIONS & ACCESSORIES

PRODUCTIVITY

- 90° mechanical platform rotation
- Fluorescent tube caddy
- Operational warning beacon package
- Non-marking outrigger footpads
- Horn
- Tool tray
- Bicycle guard*

*Standard in The Netherlands, France, Denmark

Distributed By:

UK

The Maltings
Wharf Road
Grantham NG31 6BH
UK
Tel: +44 (0)1476 584333
Fax: +44 (0)1476 584334

France

10, ZA de la Croix St. Mathieu
28320 Gallardon
France
Tel: +33 (0)2 37 26 09 99
Fax: +33 (0)2 37 26 09 98

Germany

Finienweg 3
28832 Achim/Bremen
Germany
Tel: +49 (0)4202 8852-0
Fax: +49 (0)4202 8852-25

Spain

Gaià 31, Pol. Ind. Plá d'en Coll
08110 Montcada i Reixac
Barcelona
Spain
Tel: +34 93 572 50 90
Fax: +34 93 572 50 91

Scandinavia

Aröds industriväg 34
422 43 Hisings Backa
Sweden
Tel: +46 31 57 51 00
Fax: +46 31 57 51 04

Middle East

Terex Middle East
PO Box 282325, Dubai
U.A.E.
Tel: +971 4 885 8030
Fax: +971 4 885 6364
Email: awp.infome@terex.com

Genie United States

18340 NE 76th Street
P.O. Box 97030
Redmond, WA
USA 98073-9730
Tel: +1 425 881-1800
Fax: +1 425 883-3475

Email: AWP-InfoEurope@terex.com