

Genie BOOM Z-45/22

Genie goes to great heights to make overhead access easy and affordable.

Working heights to 52 ft. (15.8m)
Horizontal reach to 22.5 ft. (6.9m)

Combines compact profile and high reach

The compact design of the Genie Boom Z-45/22 makes it easy to maneuver in narrow aisles and congested areas. In a stowed position, the Z-45/22 travels through a standard 6' x 6'8" double doorway (1.85 m x 2.03 m). And in spite of its compact size, this unit reaches platform heights to 45 feet (13.7 m) and has 22.5 feet (6.9 m) of reach that easily clears obstacles as tall as 20 feet (6.1 m)!



Precise positioning in tight spaces

The Z-45/22 features a unique infinitely variable proportional control system in both lift and drive modes. This means effortless maneuvering around fixed obstacles and in narrow aisles, from both the stowed and elevated positions. And, the Z-45/22 has a tight 7 foot (2.1 m) inside turning radius.

To further enhance its versatility, the Z-45/22 offers a 360° boom rotation with a spring-applied brake to help eliminate free play. Because the unit has no tailswing, the turntable can rotate in extremely close quarters. The large platform self-levels automatically and features a convenient manual override system. For precise overhead positioning, a manually operated rotator swivels the platform a full 130°.



Now a Choice of Power Options

For clean, efficient electric power, choose the Z-45/22's DC power package. DC power is the ideal choice for indoor applications where quiet, fume-free power is needed. Offered as an option is a rugged, reliable "dual fuel" engine that is powered by either gasoline or liquid propane. This power option is a favorite for the rigorous job-site demands of the construction industry.

Easy Operation

The Z-45/22's enclosed platform offers a 500 lb. (226 kg) capacity to accommodate two workers plus tools. Platform-mounted controls deliver smooth, precise operation of all lifting and driving functions. (At ground level, auxiliary controls for all lifting functions offer the same dependability.)



Genie makes the "extras" standard

Consider the many standard features that are costly extras on conventional lifts.

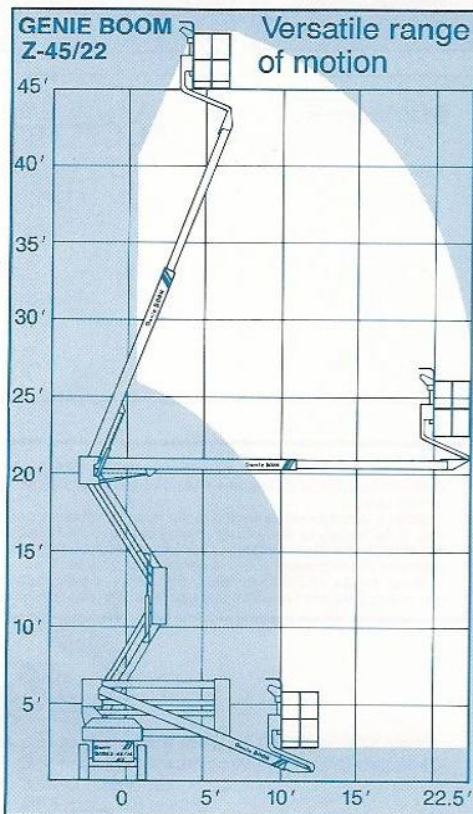
- Two 115 volt power receptacles on platform
- Hour meter
- Manual platform rotator

DC models only:

- Battery charge level indicator
- Extra battery box and cables

Gasoline/LP only:

- Residential quality muffler with spark arrester
- Two 33 lb. LP tanks with fuel gauge
- One 8 gal. gas tank with fuel gauge
- Platform mounted remote choke



Durable, dependable, safe and economical

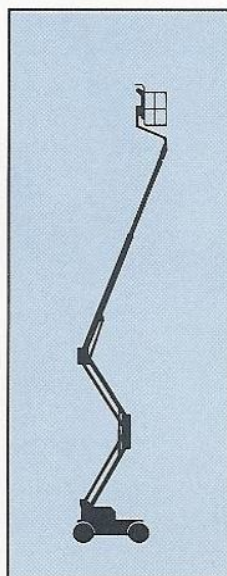
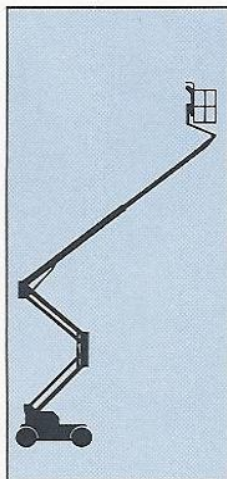
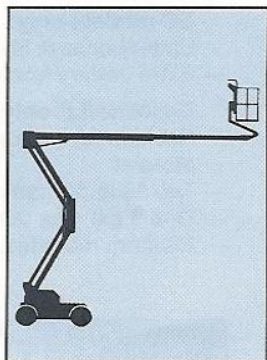
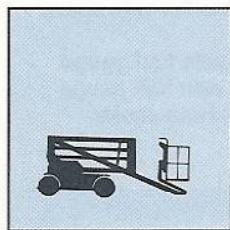
To ensure long-term, reliable performance, the Z-45/22 incorporates time-tested componentry, as well as innovative control circuit design for smooth operation. In addition, dual hydraulic drive motors provide two-wheel positive traction for demanding job-site conditions. Each drive wheel also has an individual spring-applied brake for optimum safety. The Genie Boom Z-45/22 meets or exceeds ANSI standard A-92.5-1980 as interpreted by professional engineers and independent testing laboratories. Even with its superior performance and many competitive advantages, the Z-45/22 is the most affordable boom on the market at its platform height!

Options

- Flashing beacon
- In-motion alarm
- Descent alarm
- Tool tray

DC models only:

- Battery charge station



The Genie Boom Z-45/22 is the ideal tool for:

- On-slab construction work
- Electrical and Mechanical contractors
- Painting and surface preparation contractors
- Exterior renovation contractors
- Installing and servicing fire protection systems
- In-plant maintenance
- Industrial equipment maintenance
- Warehouses, distribution centers and overhead storage facilities
- Cleaning and servicing of aircraft and transportation equipment
- Shopping mall maintenance

MODEL		Z-45/22
Height - working, max.	U.S.-ft.	52
	Metric-m	15.84
Height - platform, max.	U.S.-ft.	45
	Metric-m	13.70
Height - stowed	U.S.-ft.	6'7"
	Metric-m	2.01
Horizontal reach - max.	U.S.-ft.	22.5
	Metric-m	6.90
Width	U.S.-ft.	5'10"
	Metric-m	1.80
Length - stowed	U.S.-ft.	16'8"
	Metric-m	5.08
Lift capacity (unrestricted)	U.S.-lb.	500
	Metric-kg	226
Wheelbase	U.S.-ft.	6
	Metric-m	1.83
Turning radius (outside)	U.S.-ft.	14
	Metric-m	4.26
Turning radius (inside)	U.S.-ft.	7
	Metric-m	2.13
Turret rotation	Degrees	360°
Turret tailswing		Zero
Power source		36 V DC or optional Gasoline/LP
Batteries (DC models)		12, 6V 440Ah
Travel speed - stowed†	U.S.-mph	0-3
	Metric-km/h	0-4.8
Travel speed - raised†	U.S.-mph	0-8
	Metric-km/h	0-1.3
Controls		Proportional
Platform dimensions (length x width)	U.S.-in.	30 x 48
	Metric-m	.76 x 1.06
Platform leveling		Self-leveling
Platform rotation	Degrees	130°
AC outlet in platform		Standard
Hydraulic operating pressure (drive functions)	U.S.-PSI	3000
	Metric-kPa	20684
Hydraulic operating pressure (boom functions)	U.S.-PSI	2000
	Metric-kPa	13800
Tires**		9-14.5, 12 Ply
Gradeability*†		20%
Ground clearance	U.S.-in.	9½
	Metric-m	.24
Hydraulic reservoir capacity	U.S.-gal.	12
	Metric-liter	45.4
Weight, gross without batteries	U.S.-lb.	12,000
	Metric-kg	5443

Distributed By:

Available from:

APS
Access Platform Sales Ltd

Leewood Business Park, Upton, Huntingdon, PE28 5YQ
Tel: +44 (0) 1480 891251 Fax: +44 (0) 1480 891162
Website: www.accessplatforms.co.uk
Email: sales@accessplatforms.co.uk

*In lift mode (basket elevated), the Genie Boom is designed for operation on firm level surfaces only.

**Optional foam-filled tires available.

† Affected by battery condition on DC models

Genie also manufactures the popular Z-30/20HD two person boom. The Z-30/20HD provides the advantages and versatility of the larger Z-45/22 at a lower 38 foot (11.6 m) working height and 20 foot (6.1 m) horizontal reach.

The photographs and drawings in this brochure are for illustrative purposes only. Refer to appropriate "Genie Boom Operating and Maintenance Manual" for instructions on the proper use and maintenance of this equipment.

WARRANTY

GENIE INDUSTRIES, INC. warrants the Genie Boom to be free from defects in material and workmanship for six (6) months from the date of purchase, but only such defects as result from normal use.

Seller's liability shall be limited to the repair or replacement of the defective material or workmanship at its factory or authorized service center. Buyer shall be responsible for all freight charges required for the repair. Improper use of the product, lack of normal maintenance or unauthorized alteration of the product shall render this warranty void.

Seller makes no other warranty, express or implied, and specifically makes no warranty as to merchantability and fitness for any particular purpose. Seller will not be liable for any consequential

or special damages resulting from any use of its products.

Qualification for warranty coverage is conditioned upon return of the warranty card and upon prompt notice of the claimed defect. Seller must be given an opportunity to examine any defect before any alteration is made.

Seller reserves the right to make changes in design or add any improvements on its basic product or any accessories thereto at any time without incurring any obligation to install such improvements on any Genie Product or accessory previously purchased.

This warranty supersedes all other warranties, stated or published.

Genie Industries

Home Office: 18340 NE 76th Street • P.O. Box 69, Redmond, WA U.S.A. 98073-0069 • (206) 881-1800 • Toll Free 800-426-8089 • TX 152351 • Fax (206) 885-4638
Canadian Office: 340 Brooksbank Avenue • P.O. Box 86754, North Vancouver, B.C., Canada V7L4L3 • (604) 984-4242 • Toll Free 800-663-4475 • Fax (604) 988-2662
European Office: Avelingenweg 6a • 4202 MN Gorinchem, Netherlands • 31 1830-34772 • TX 27250
United Kingdom Office: 17 Queen Street • Southwell, Nottinghamshire, England NG250AA • 44 0636-813943