

**Genie.**



**Z-34/22<sup>N</sup>**

**Narrow  
Self-Propelled  
Articulating  
Boom**



**The Narrow  
Access  
Solution**

# Genie

## Z-34/22 N

### Ideal for Confined Work Spaces

Only 58 inches wide and zero tailswing - the Z-34/22 N allows work in tight places.

### Rolls Through Standard Double Doorways!

Genie's Z-34/22 Narrow boom will work both indoors and out. Emission-free, noise-free electric drive is perfect for most applications.

### Standard Features

- 40ft (12.2m) Working Height
- 22ft (6.7m) Horizontal Reach
- Jib features 147° Working Range
- Compact 58" (1.5m) Overall Width
- 500 lb (227kg) Lift Capacity
- 160° Platform Rotation
- 48 V DC Power Source
- Self-Leveling Platform
- Fully Proportional Controls
- AC Outlet in Platform
- Drive Enable System

### Options and Accessories

- Battery Charge Indicator
- Hour Meter
- Alarm Package
- Non-Marking Tires

### Enjoy Genie Quality in Many Other Fine Products

- Articulating Booms
- Telescoping Booms
- Aerial Work Platforms
- Material Lifts

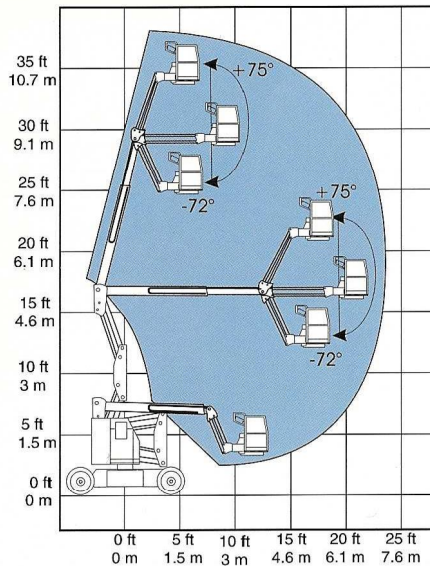
Failure to follow the appropriate Operator's Manual when using a Genie Z-34/22 N, or to otherwise act irresponsibly, may result in serious injury or death. Continuous improvement of our products is a Genie policy. Product specifications are subject to change without notice or obligation.

The photographs and drawings in this brochure are for illustrative purposes only. Refer to appropriate "Genie Z-34/22 N Operator's Manual" for instructions on the proper use of this equipment.

# Genie Industries

Copyright © 1996 by Genie Industries  
Printed in the U.S.A. on recyclable paper.  
"Genie" is a registered TM of Genie Industries.  
Patents Pending  
Z34N 30K 4/96

## RANGE OF MOTION



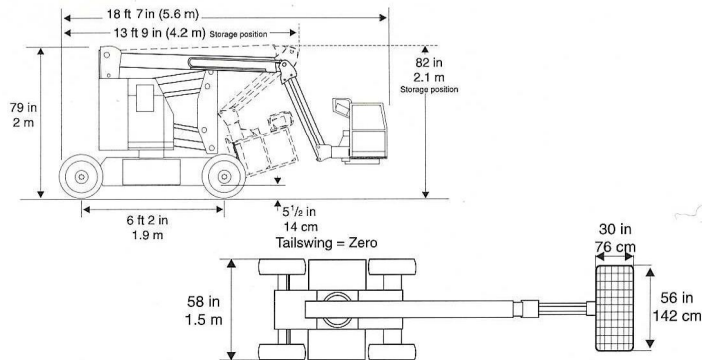
## Reasons To Make The Z-34/22 N Your Access Solution

- ▲ Industry leading lift structure design provides **zero tailswing in all positions** with a 58" (147cm) wide drive chassis, making the Z-34/22 N the most maneuverable boom in its class.
- ▲ A standard 4' (1.2m) jib boom operates above or below horizontal throughout the full boom range of motion.
- ▲ The combination of **40' (12.2m) working height, 22' (6.7m) outreach and a pivotal height of 15'3" (4.6m)** provides the most versatile range of motion in its class.
- ▲ With low **19" (48cm) entry height and new recessed top rail**, our platform is easily accessible and provides increased protection.
- ▲ **3.4 mph drive system** uses the simple and efficient Curtis controller to provide industry leading performance and years of trouble-free service.
- ▲ **160 degree powered platform rotation** allows easy operation and precise platform positioning.
- ▲ **Compact storage length of 13'9" (4.2m) and width of 58" (1.5m)** makes this boom the most space efficient 40' (12.2m) boom on the market.
- ▲ **Fully proportional controls** function with acceleration ramping for smooth operation.

## SPECIFICATIONS

	US	METRIC
Height-working max.	40 ft.	12.2 m
Height-platform max.	34 ft. 4 in.	10.5 m
Height-stowed	6 ft. 7 in.	2 m
Horizontal reach max.	22 ft. 4 in.	6.8 m
Width	4 ft. 10 in.	1.5 m
Length-stowed	18 ft. 7 in.	5.6 m
Lift capacity	500 lbs.	227 kg
Wheelbase	6 ft. 2 in.	1.9 m
Turning radius (outside)	12 ft. 9 in.	3.9 m
Turning radius (inside)	6 ft.	1.9 m
Turntable rotation (degrees)	355	
Turntable tailswing	Zero	
Power source	8 Group-4H (6V 315AH Batteries)	
Drive speed-stowed	0 - 3.4 mph	0 - 5.5 km/h
Drive speed-raised*	0 - .6 mph	0 - 1.0 km/h
Controls	Proportional	
Platform dimensions (length x width)	56 in. x 30 in.	142 cm x 76 cm
Platform leveling	Self-leveling	
Platform rotation (degrees)	160	
AC outlet in platform	Standard	
Hydraulic pressure max.(boom functions)	2800 psi	193 bar
Tires (solid rubber)	22 in. x 7 in. x 17.75 in.	56 x 18 x 45 cm
Gradeability*	20%	
Ground clearance	5.5 in.	14 cm
Hydraulic tank - capacity	5 gallons	18.93 liters
Weight	11,250 lbs.	5,103 kg

\*In lift mode (platform raised), the machine is designed for operation on firm level surfaces only.



Distributed By:

For further information, please contact your local distributor or the Genie sales office listed below.

Available from:  
1 | Redmon  
Tele |  
To |  
f |  
htt

Available from:

**APS**  
**Access Platform Sales Ltd**

Leewood Business Park, Upton, Huntingdon, PE28 5YQ  
Tel: +44 (0) 1480 891251 Fax: +44 (0) 1480 891162  
Website: [www.accessplatforms.co.uk](http://www.accessplatforms.co.uk)  
Email: [sales@accessplatforms.co.uk](mailto:sales@accessplatforms.co.uk)