

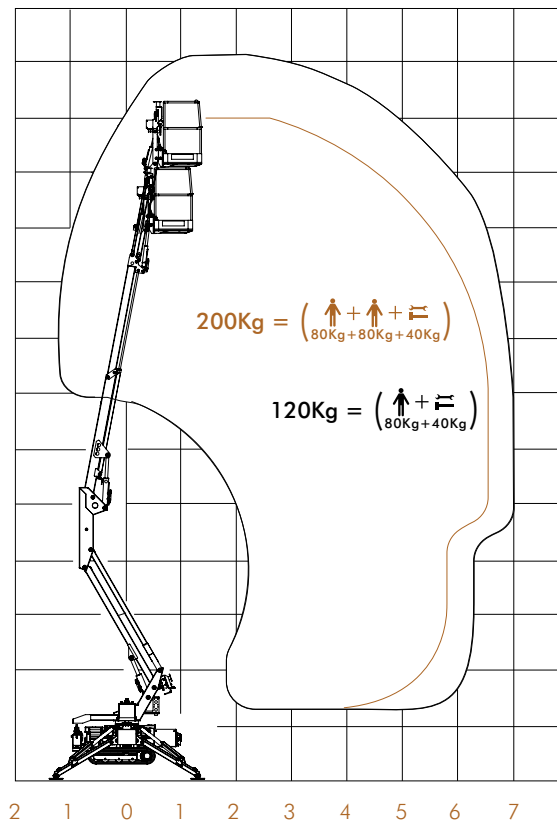
INTRODUCING TRACCESS. TRACK-MOUNTED ACCESS PLATFORMS.

Launched in mainland Europe in 2005 and the UK in 2006 the Traccess 135 and 170 (13.5 and 17m working height) have quickly established themselves as class leading platforms. Both have the most versatile boom configurations in their class, articulated/sigma, telescopic with independent fly-boom, combining 200kg SWL with unrestricted working envelopes and minimum closed dimensions.

Both T135 and T170 come equipped with: powerful diesel or petrol engines and mains auxiliary enabling internal and external use; heavy duty solid, feeling boom structure; basket load sensing; simple remote drive control for safe loading and manoeuvring; protected (from falling debris) internal routing of hydraulic/electrical services to basket; simple intuitive control system enabling easy use and simple service and maintenance.

As you would expect from one of Europe's leading manufacturers the T135 is CE marked and meets or exceeds the requirements of UK and European safety legislation.

# TRACCESS 135



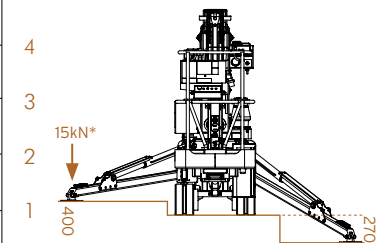
**SPECIFICATIONS**

**Operating Dimensions**

Working Height	13.3m
Platform Height	11.3m
Outreach*	200Kg 6.5m
Outrigger Footprint	(WxL) 2.85m x 2.85m
Rotation (non-continuous)	320°
Safe Working Load	200Kg
Basket	1300x700x1100mm

**Closed Dimensions (transit)**

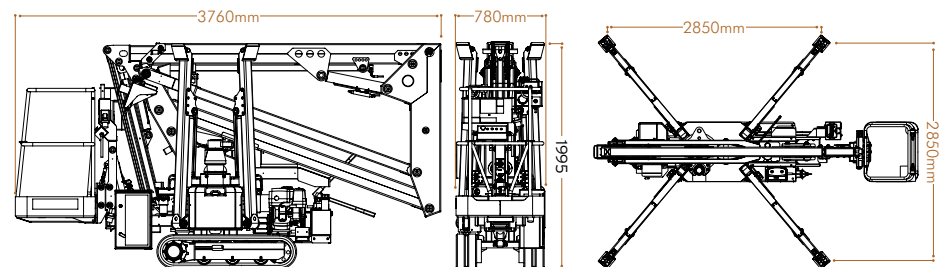
Length	3.75m
Width	0.78m
Height	1.99m



\*Maximum outrigger ground loading 15kN.

With 6.5m outreach with full 200kg SWL the T135 is a class leader. A highly versatile boom combination of articulated, top telescopic and fully independent fly-boom combined with compact closed dimensions mean the T135 can reach places other platforms cannot. A simple and safe control system with basket load sensing and remote drive control combined with full failsafe hydraulic circuit help protect the operator during boom operation or when loading or driving.

\*Traccess 135 can be specified with 120Kg SWL (single man basket), giving 7.0m working outreach.



## TRACCESS 135

Track Mounted Access Platform

- 13.30M WORKING HEIGHT
- 6.50M WORKING OUTREACH
- VERSATILE BOOM CONFIGURATION
- DIESEL PETROL ENGINE OPTIONS
- UNRESTRICTED 200KG SWL
- MOST COMPACT MACHINE IN ITS CLASS

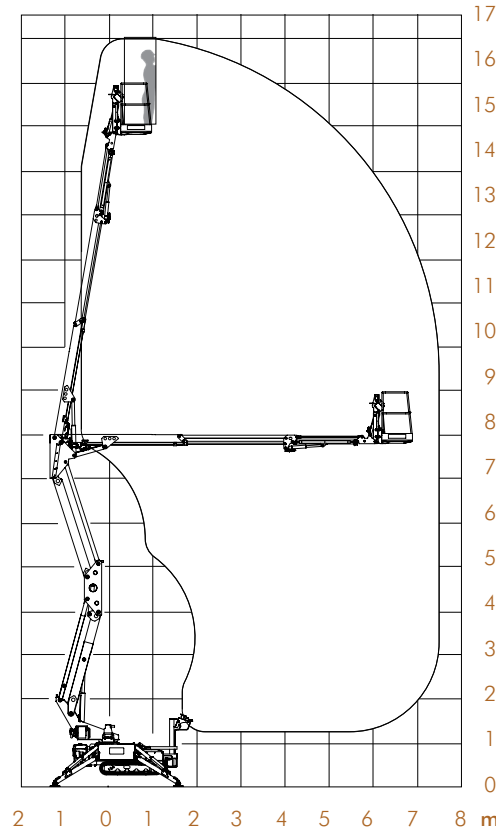


# TRACCESS 170



**TRACCESS 170**  
Track Mounted Access Platform

17.M WORKING HEIGHT  
7.5M WORKING OUTREACH  
VERSATILE BOOM CONFIGURATION  
DIESEL PETROL ENGINE OPTIONS  
UNRESTRICTED 200KG SWL  
MOST COMPACT MACHINE IN ITS CLASS



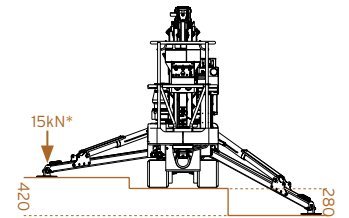
## SPECIFICATIONS

**Operating Dimensions**

Working Height	17.0m
Platform Height	15.0m
Outreach from Centre	7.5m
Outrigger Footprint (WxL) 2.85m x 2.85m	
Rotation (non-continuous)	330°
Safe Working Load	200Kg
Basket Dims. 1300x700x1100mm	

**Closed Dimensions**

Length	4.25m
Width	0.80m
Height	2.00m



\*Maximum outrigger ground loading 15Kn.

Traccess 170 has the one of the most versatile boom configurations on tracks: sigma bottom booms + 2-stage telescopic top-boom and fly-boom with unrestricted working envelope at full 200kg SWL. This renowned CTE sigma boom geometry makes working in vertical or horizontal planes or any combination easy with the T170. As with it's smaller brother the T170 is available with diesel or petrol engines together with auxiliary mains power and comes with remote drive controls as standard.

