



SPIDERLIFT®

Dedicated. Specialised. Focused.









CMC S15

CMC S19



# It's so simple



-  **Simple To Use**  
User friendly, with intuitive 4-step operation from start to working at height.
-  **Power Options**  
Choice of Kubota Z482 diesel or Honda petrol engines with 110v, 230v or dual voltage (110v and 230v) AC motor. Now with **new** lithium-ion battery option.
-  **Service Friendly**  
Simple operating system with fault code diagnosis and easy to repair on-site.
-  **Compact**  
The most compact dimensions of any Spiderlift in this height range, including a very small stabiliser footprint.
-  **Versatile**  
Articulating boom with telescope and jib, plus innovative basket design offers unrivaled performance.
-  **Towable/ Transportable**  
Low weight and very compact, so suitable to tow on a trailer behind mid-size vans and 4x4s.



Single Doorway Width (780mm)



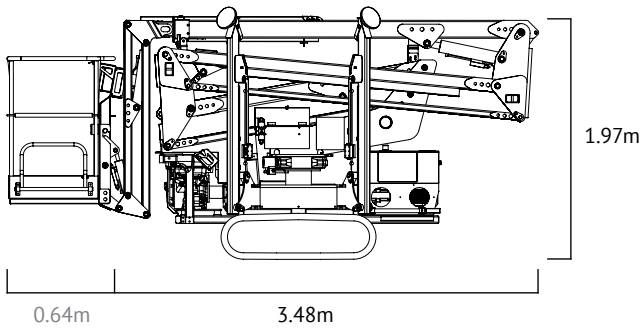
Simple Control System



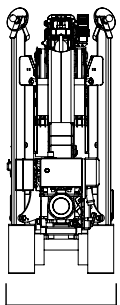
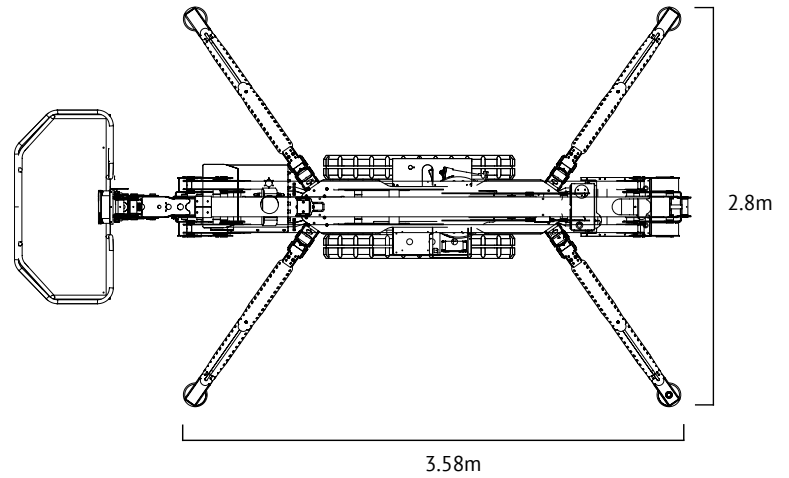
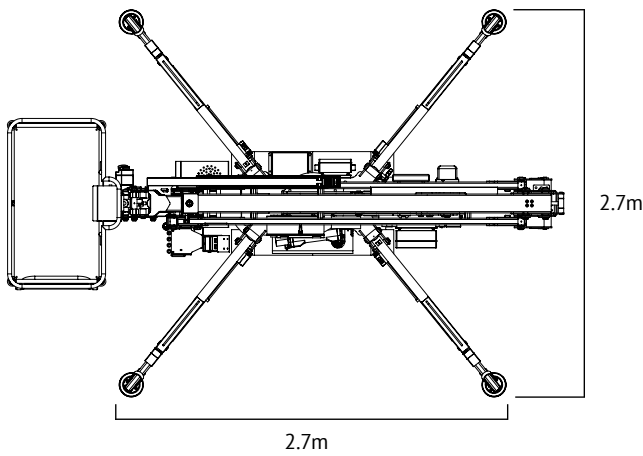
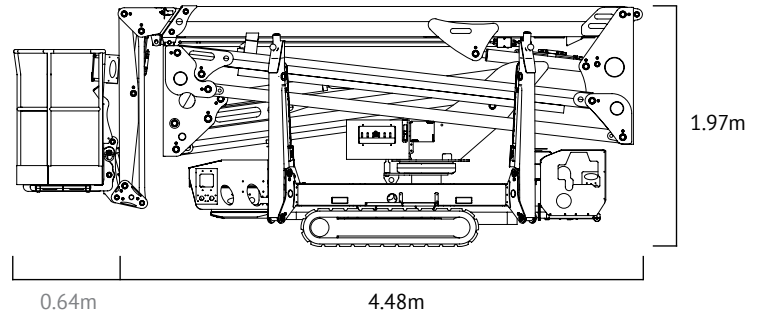
Hydraulic Extending Tracks

**No complications inbetween.**

# CMC S15



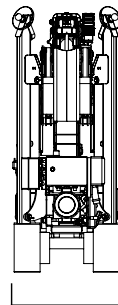
# CMC S19



0.78m

## Dimensions

Total length (without basket)	3.48m
Total length (with basket)	4.12m
Height in travel position	1.97m
Width with basket removed	0.78m
Basket dimensions (HxLxW)	1.1 x 1.4 x 0.7m
Ground clearance	0.34m
Stabiliser base width x length	2.7 x 2.7m



0.78m

## Dimensions

Total length (without basket)	4.48m
Total length (with basket)	5.12m
Height in travel position	1.97m
Width with basket removed	0.78m
Basket dimensions (HxLxW)	1.1 x 1.4 x 0.7m
Ground clearance	0.23m
Stabiliser base width x length	2.8 x 3.58m



Towable/Transportable



Optional Kubota Diesel Engine



Optional Dual Voltage AC Motor

01246 540972



# CMC S15

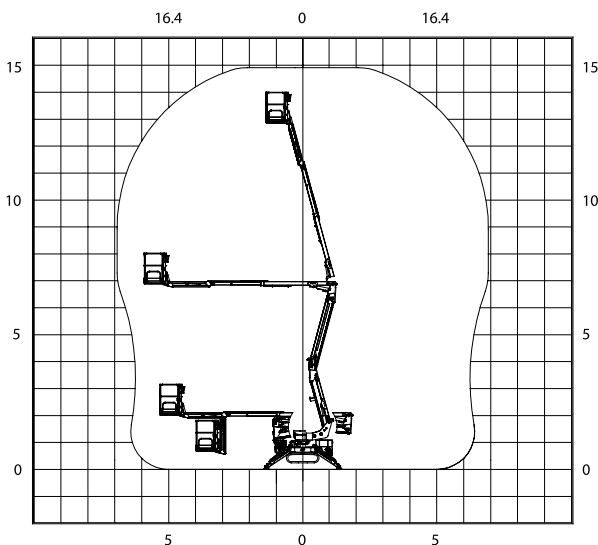
Simple, intuitive, compact. Featuring class leading closed dimensions and full height and outreach available with 200kgs capacity in the basket.

Performance	Measurements
Max working height	14.9m
Max horizontal outreach	6.9m
Max basket capacity	200kg
Jib movement	90°
Turret rotation	356°
Max slope to stabilise	12%
Max travel slope	30%
Max approach angle	23%
Max side slope to travel	10%
Max travel speed	1.1km/h

Dimensions	Measurements
Total length (without basket)	3.48m
Total length (with basket)	4.12m
Height in travel position	1.97m
Width with basket removed	0.78m
Basket dimensions (HxLxW)	1.1 x 1.4 x 0.7m
Ground clearance	0.34m
Stabiliser base width x length	2.7 x 2.7m
Stabiliser foot diameter	0.18m

Weights	Measurements
Gross weight with Honda	1955kg
Gross weight with Kubota	2055kg
Max pressure on stabiliser foot	4.54kg/cm <sup>2</sup>
Max pressure on tracks	0.21kg/cm <sup>2</sup>
Traffic load in travel position	312kg/m <sup>2</sup>
Traffic load in working position	246kg/m <sup>2</sup>

The manufacturer reserves the right to alter specification without prior notice.



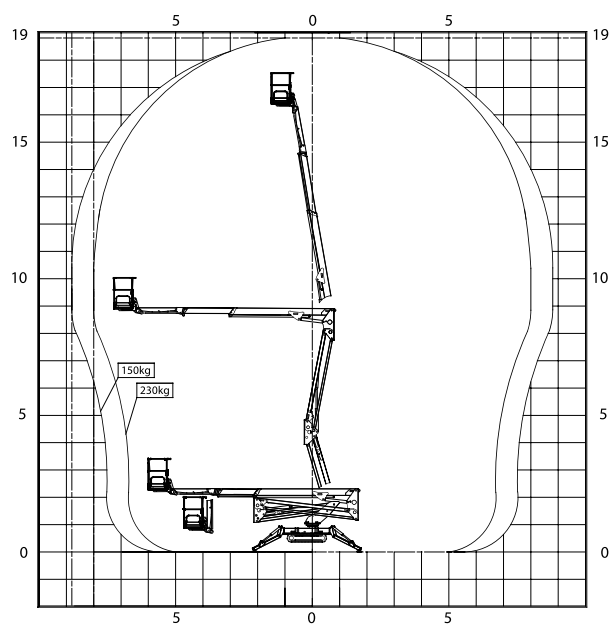
# CMC S19

The S15's big brother, with the same simple and compact features, but with more height, outreach and a 230kgs basket capacity.

Performance	Measurements
Max working height	18.8m
Max horizontal outreach	8.8m
Max basket capacity	230kg
Jib movement	90°
Turret rotation	356°
Max slope to stabilise	9%
Max travel slope	36%
Max approach angle	19%
Max side slope to travel	10%
Max travel speed	1.1km/h

Dimensions	Measurements
Total length (without basket)	4.48m
Total length (with basket)	5.12m
Height in travel position	1.97m
Width with basket removed	0.78m
Basket dimensions (HxLxW)	1.1 x 1.4 x 0.7m
Ground clearance	0.23m
Stabiliser base width x length	2.8 x 3.58m
Stabiliser foot diameter	0.18m

Weights	Measurements
Gross weight with Honda	2500kg
Gross weight with Kubota	2500kg
Max pressure on stabiliser foot	6.34kg/cm <sup>2</sup>
Max pressure on tracks	0.87kg/cm <sup>2</sup>
Traffic load in travel position	313kg/m <sup>2</sup>
Traffic load in working position	205kg/m <sup>2</sup>



## Book a demo

Please call us to arrange a demonstration

**01246 540972**

Ranger Equipment Ltd t/as SPIDERLIFT®  
Unit P2 McGregor's Way, Turnoaks Business Park, Chesterfield S40 2WB  
T 01246 540972 E sales@spiderlift.co.uk www.spiderlift.co.uk

