

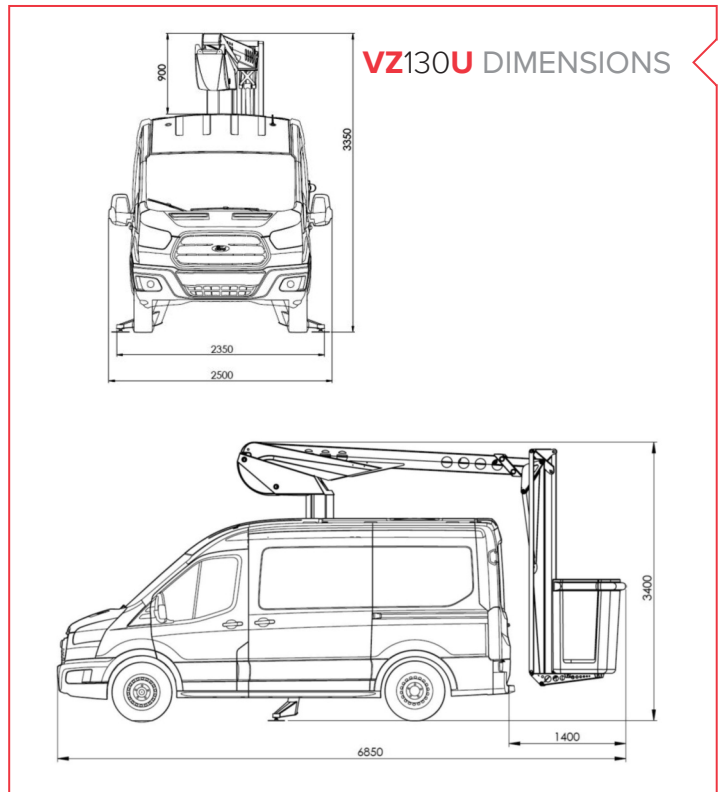
VZ130U

VAN MOUNTED PLATFORM

Telescopic boom with jib

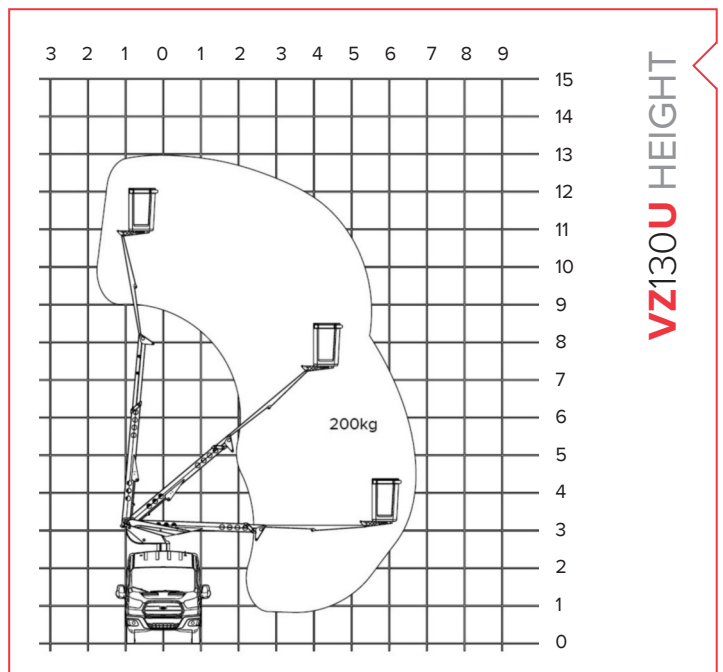
Electro-hydraulic proportional controls

- Two hydraulic stabilisers, independent control from cab
- 'Stabilisers set' and 'Ready for travel' indicator lights
- Stabiliser / boom interlocks
- Engine stop/start at platform and base controls
- Electro-hydraulic base controls on wander lead
- 'PTO engaged' and 'Stabilisers not retracted' warning lights in cab
- 12V DC emergency power pack & hydraulic hand pump
- 'Duck under' GRP platform with 2 x harness points
- Booms painted yellow RAL 1023 with white platform and knuckle



SPECIFICATIONS

Maximum working height	13.0m
Maximum platform floor height	11.0m
Maximum working outreach	6.8m
Maximum SWL in platform	200kg
SWL at maximum outreach	200kg
Jib articulation	110°
Turret rotation	365°
Vehicle	Ford Transit RWD H2 Roof
GVW	3500kg
Wheelbase	3300mm
Approx. spare payload with 2 crew and full fuel tank	300kg



FOR SALES, PARTS & SERVICE

Access Platform Sales Ltd
 Shropshire House Hortonwood 1
 Telford Shropshire TF1 7GN UK
 T 0845 108 4000 F 01480 891 162
 E sales@iapsgroup.com iapsgroup.com