

MANIACCESS

160 ATJ

Self-propelled diesel articulating boom

- Working height : 16.01 m
- Max. outreach : 9.10 m
- S.W.L : 230 kg
- Diesel engine 35,1 HP
- Turret rotation : 355°
- 4 simultaneous movements
- 4 wheel drive
- 4 wheel steer
- Crab steer



160 ATJ

Working height16.01 m
Platform floor height14.01 m
Max. outreach8.30 m
Up and over clearance7.38 m
Jib movement+70°/-70°
Basket rotation+90°/-90°
Turret rotation355°

Capacity230 kg
External usewind 45 kph
Basket size1.80 x 0.80 m
Lifting time40 s

① Width2.30 m
② Length6.53 m
③ Length (Travel/transport)4.44 m
④ Height2.37 m
⑤ Height (Travel/transport)2.61 m

⑥ Inside turning radius1.39 m
⑦ Outside turning radius3.71 m
⑧ Outside turning radius with basket5.95 m
⑨ Ground clearance35.5 cm
⑩ Wheelbase2.20 m
Working speed (kph)0.8 kph
maximum travel speed (kph)6.0 kph

Diesel engine
 KUBOTA V1505-E3B35.1 HP

Gradeability on rough terrain40%
Max. slope accepted5° or 9%

Hydraulic tank54 l
Diesel tank52 l

Tyres16.5"
 4 wheel drive/4 wheel steer/crab steer

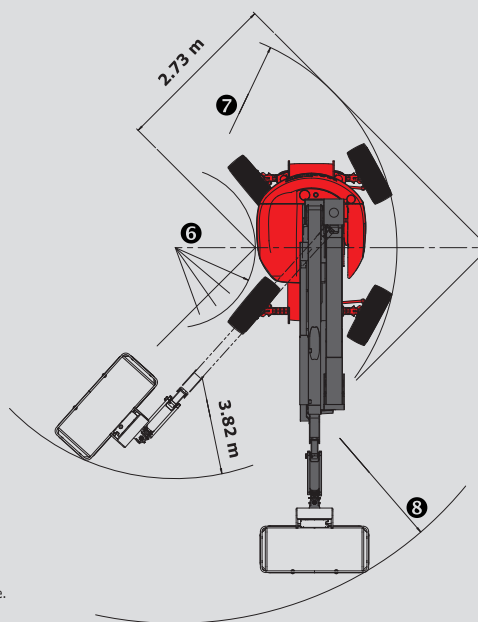
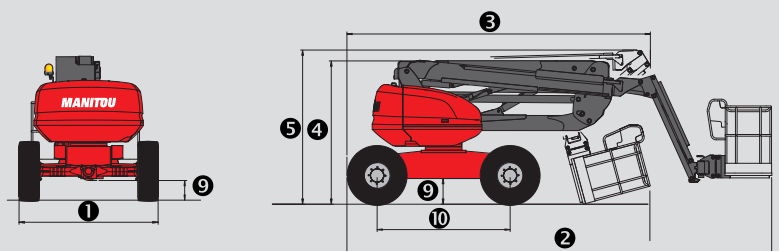
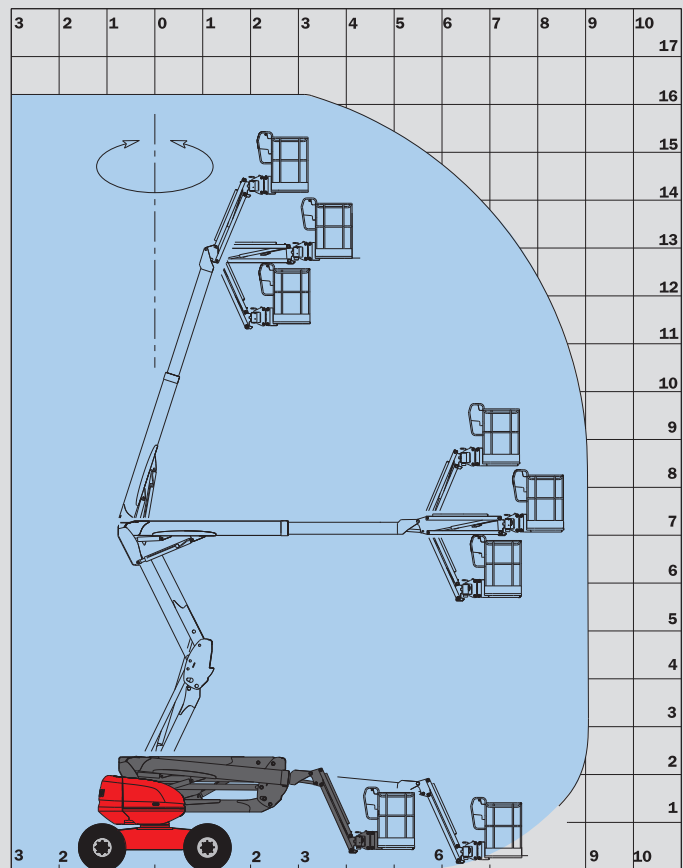
Weight6 160 kg

Standard equipment

- Proportional controls
- 4 simultaneous movements
- Differential lock
- Limited-slip front axle
- Diagnostic-calibrator
- Hourmeter
- Low-fuel indicator
- Horn
- Flashing beacon
- Audible and visual tilt and overload alarms
- Slope over ride
- Lifting eyes
- Electric emergency pump
- Prefitted for 230 V
- Dead man's pedal
- Tool tray
- Protective cover (lockable)

Options

- **2 wheel steer**
- **Oscillating axle**
- **Continuous rotation**
- **On-board generator**
- 230 V outlet with residual current device
- Prefitted for compressed air
- Prefitted for water
- Working headlight
- Special paint
- Biodegradable oil
- All movement alarm
- Beep on travel
- Catalytic purifier
- Refinery kit
- Safety harness



This publication in no way constitutes an offer and the company reserves the right to alter specification without prior notice. The equipment supplied with each model may differ from that described in this leaflet. For more details, contact your MANITOU dealer. Conformity with the machine directive (EN 280) and standards of the country of delivery.



MANITOU BF SA

B.P. 249 - 44158 Ancenis Cedex - France
 Tel. : 33 2 40 09 10 11 / Export Department Fax : 33 2 40 09 10 97
 www.manitou.com

700471EN_A_0611_160ATJ

