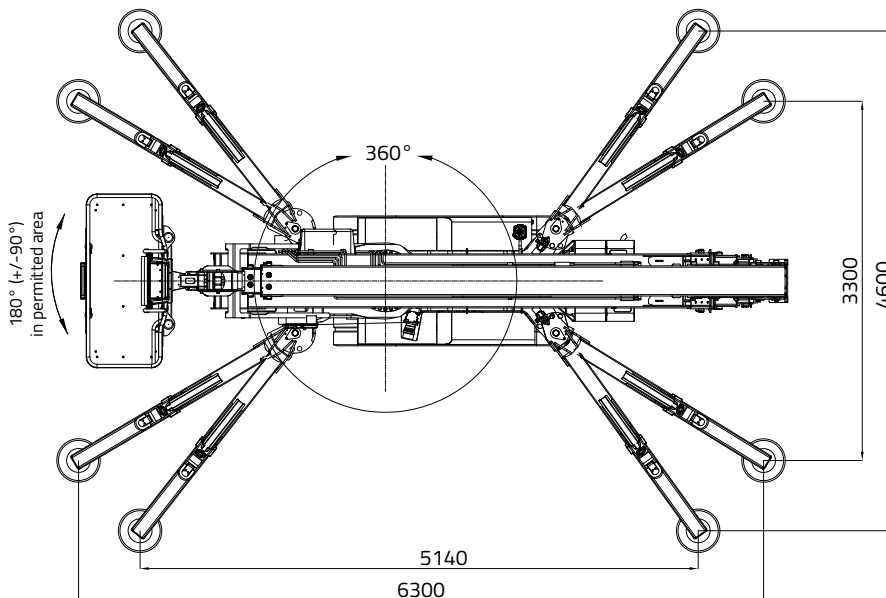
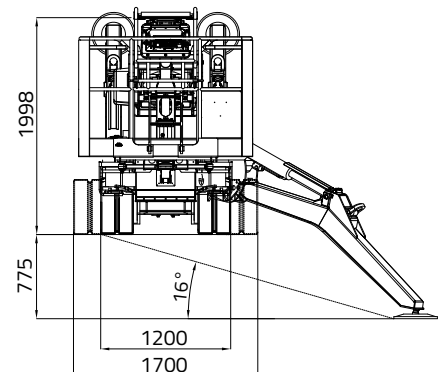
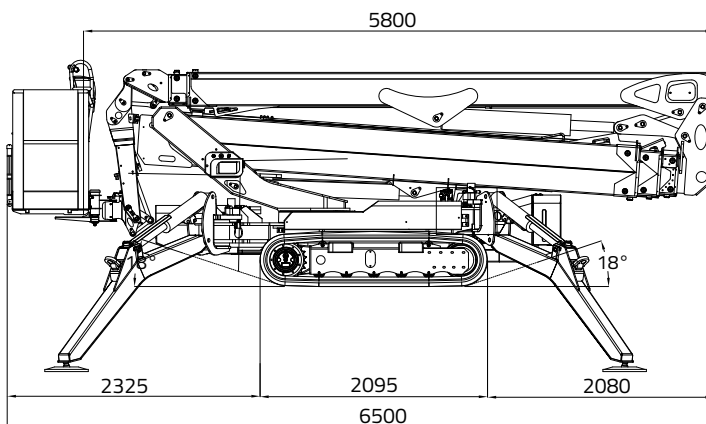


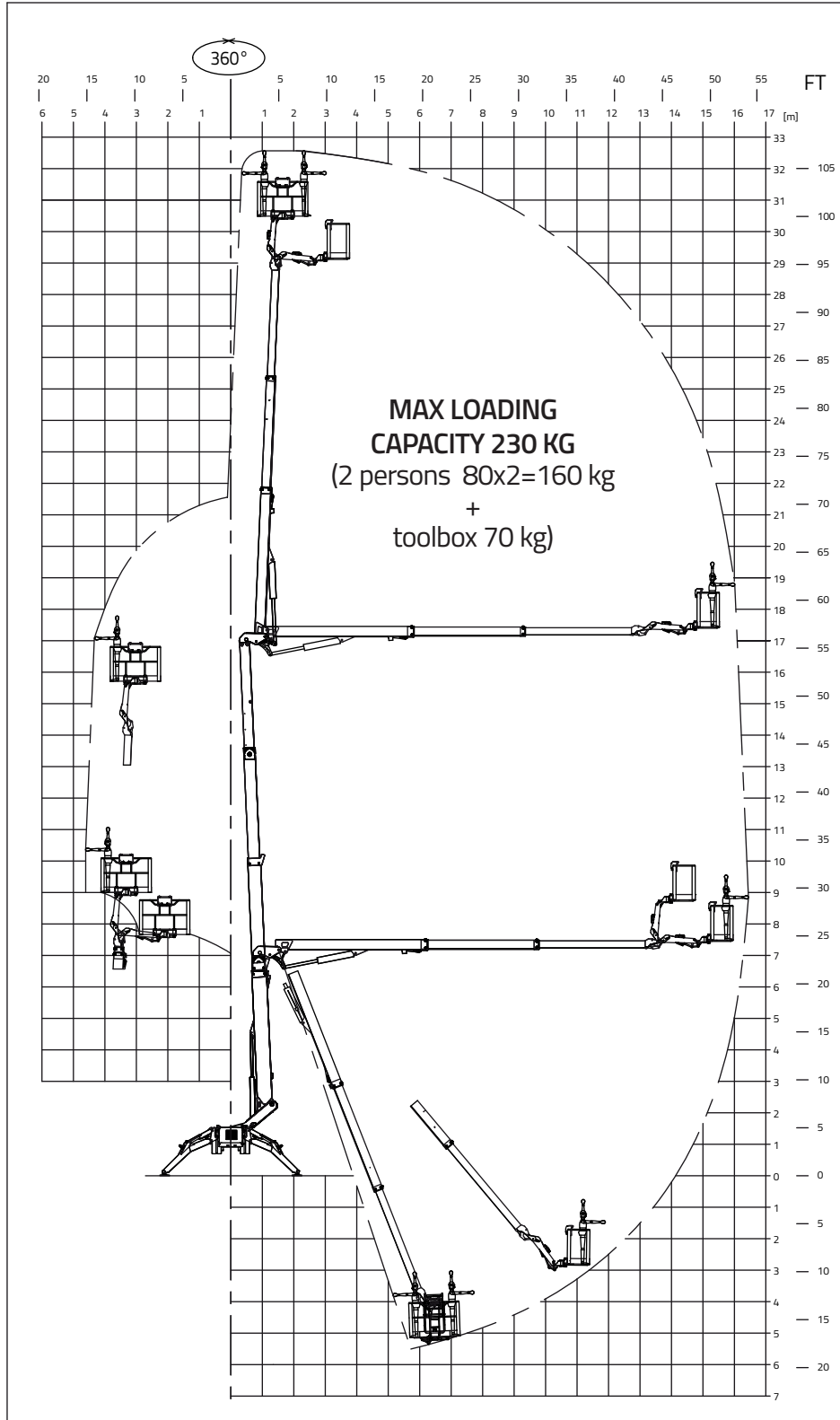
TRACKED AERIAL PLATFORMS



LIGHTLIFT 33.17 *PERFORMANCE III S*



LIGHTLIFT 33.17 *PERFORMANCE III*



TRACKED AERIAL PLATFORMS



LIGHTLIFT 33.17

PERFORMANCE III

DIESEL ENGINE

BrandKubota
Type.....D902 Autorev
Pistons no. and displacement898 cm³
Max. gross power21,6 HP - 16,1 kW @ 3200 rpm
Electrical start12 volt

ELECTRIC MOTOR

Optional380V / 50HZ - 11 kW

HYDRAULIC PUMPS

Pump diesel engineno. 2 gear pumps
Pump electric motorno. 2 gear pumps

TRACKED UNDERCARRIAGE

Track tensionergrease-filled
Rollers no. per side6 + slide
Widening system1200 / 1700 mm

WEIGHT MACHINE 7616 kg
DIESEL FUEL TANK 25 litri
MAX UPPER SLANT 16° / 28,7%
MAX WIND SPEED 12,5 m/s



TRACKED AERIAL PLATFORMS

LIGHTLIFT 33.17

PERFORMANCE III



ELECTRIC SYSTEM

Electric system voltage.....	76V-12V
Lithium battery pack.....	7,6 KWh
Autonomy (continuous cycle)*	4-5 h
Std battery charger	80-240V /50-60HZ
Recharge time on flat batteries.....	7 h (indicative)
Recharge time to 80% on flat batteries	3 h (indicative)

HYDRAULIC PUMPS

Electric motor	no.2 gear pumps
----------------------	-----------------

TRACKED UNDERCARRIAGE

Track tensioner	grease-filled
Rollers no. per side	6 + slide
Widening system	1200 / 1700 mm

MAX UPPER SLANT 16° / 28,7%

MAX WIND SPEED 12,5 m/s

* (Autonomy measured with Hinowa H2 operating cycle)