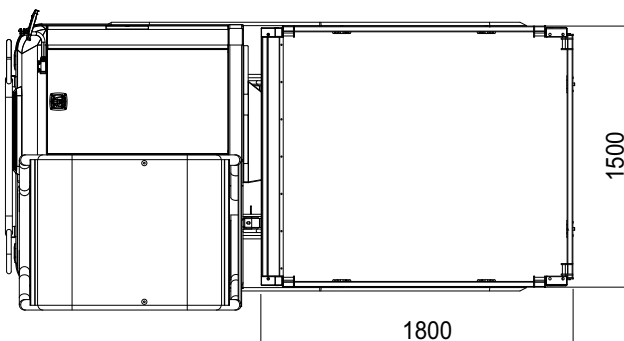
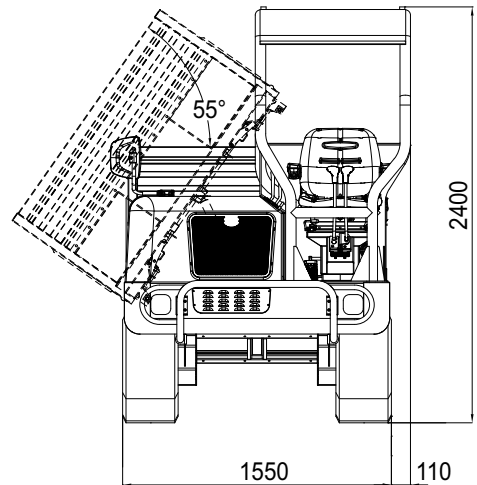
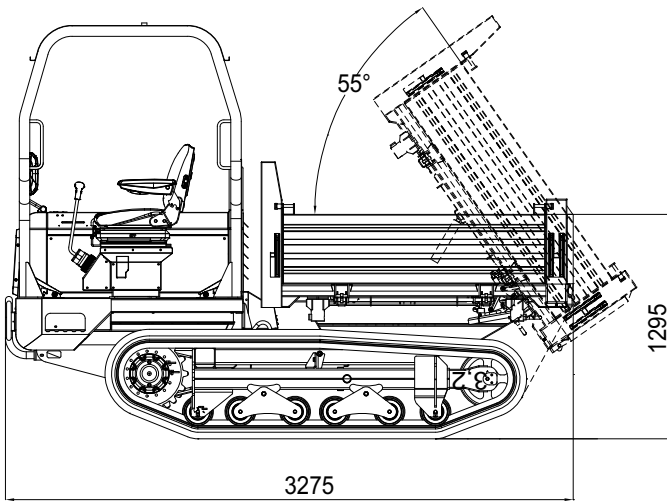


TX2500 3 WAY DUMP BED



TX2500 3 WAY DUMP BED

DIESEL ENGINE

Brand and typeKUBOTA V 2203
Pistons and displacement.....n° 4 da 2197 cc
Max gross power 48,1 HP - 35,9 kW @ 2800 rpm
Startingelectric 12 volt
Fuel tank40 liters

DISTRIBUTOR

Type mechanical

HYDRAULIC PUMPS

Number and typen° 2 piston pumps + n° 1 gear pump

TRACKS

Track tensioner.....grease
Track width320 mm
Rollers per side.....2 fixes and 4 floating
Fixed undercarriage.....1550 mm

PERFORMANCE

Translation speed.....6 -11 km/h
Max. inclination20° (36,4%)
Granted noise levelLwa 101 dB

CAPACITY2500 kg

DUMPER BED CAPACITY

Rated volume (ISO 6483)1,35 m³
Struck volume0,98 m³

OPERATING WEIGHT (without operator)2700 kg