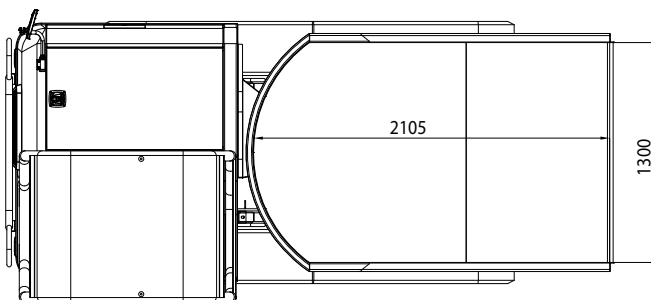
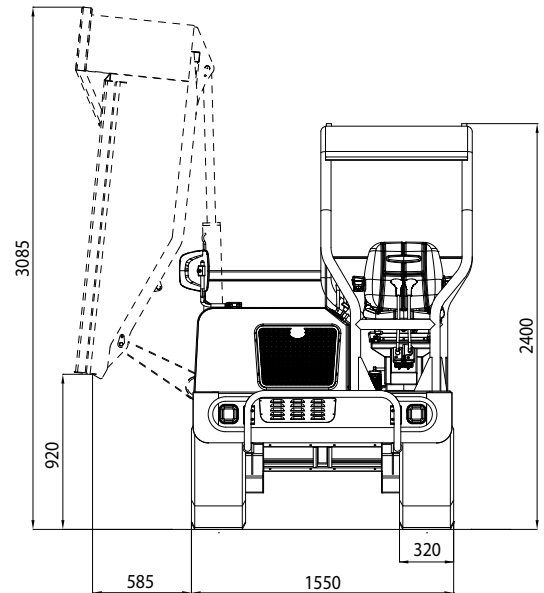
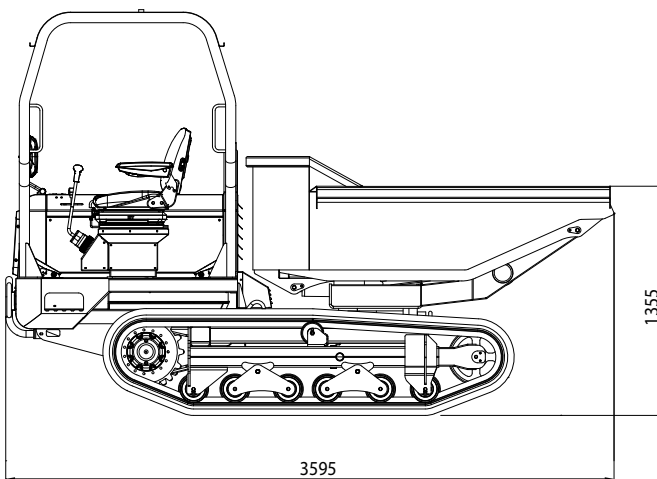


# TX2500

## SWIVEL DUMPER BED 180° (+/- 90°)



# TX2500

## SWIVEL DUMPER BED 180° (+/- 90°)

### DIESEL ENGINE

Brand and type .....KUBOTA V 2203  
Pistons and displacement.....n° 4 da 2197 cc  
Max gross power ..... 48,1 HP - 35,9 kW @ 2800 rpm  
Starting .....electric 12 volt  
Fuel tank .....40 liters

### DISTRIBUTOR

Type ..... mechanical

### HYDRAULIC PUMPS

Number and type .....n° 2 piston pumps + n° 1 gear pump

### TRACKS

Track tensioner.....grease  
Track width .....320 mm  
Rollers per side.....2 fixes and 4 floating  
Fixed undercarriage.....1550 mm

### PERFORMANCE

Translation speed.....6 -11 km/h  
Max. inclination .....20° (36,4%)  
Granted noise level .....Lwa 101 dB

**CAPACITY** .....2500 kg

### DUMPER BED CAPACITY

Rated volume (ISO 6483) .....1,49 m<sup>3</sup>  
Struck volume .....1,09 m<sup>3</sup>

**OPERATING WEIGHT** (without operator) .....2700 kg