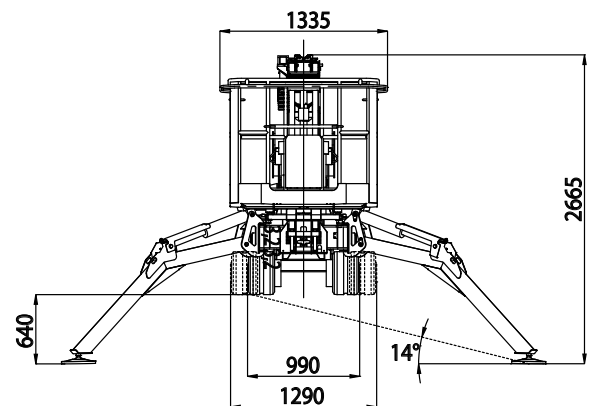
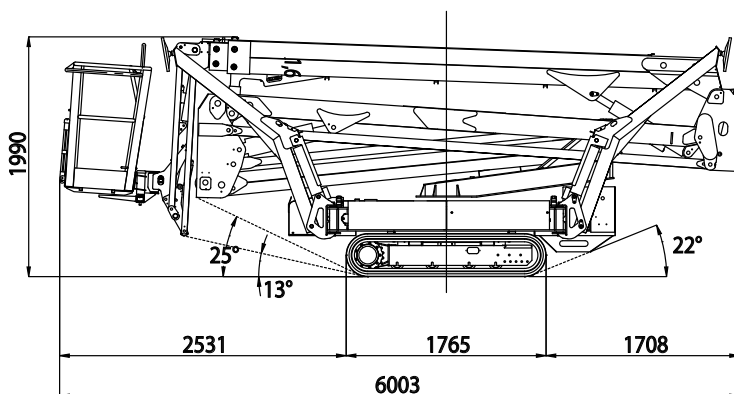
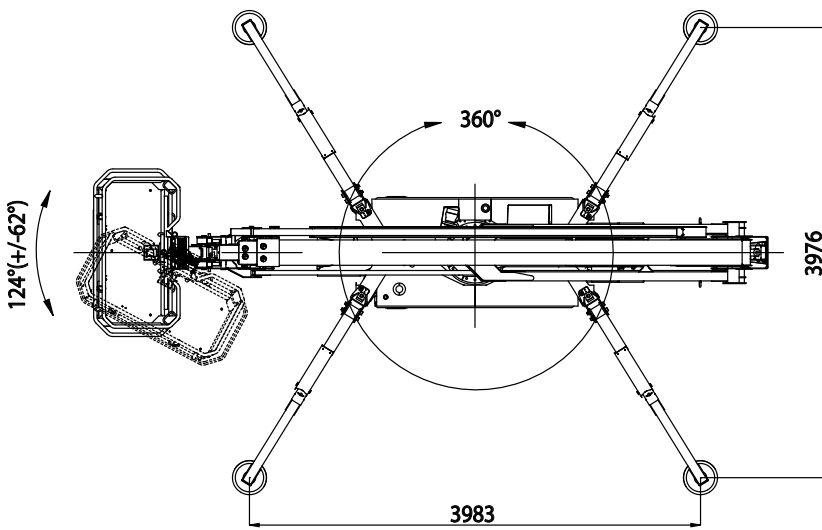


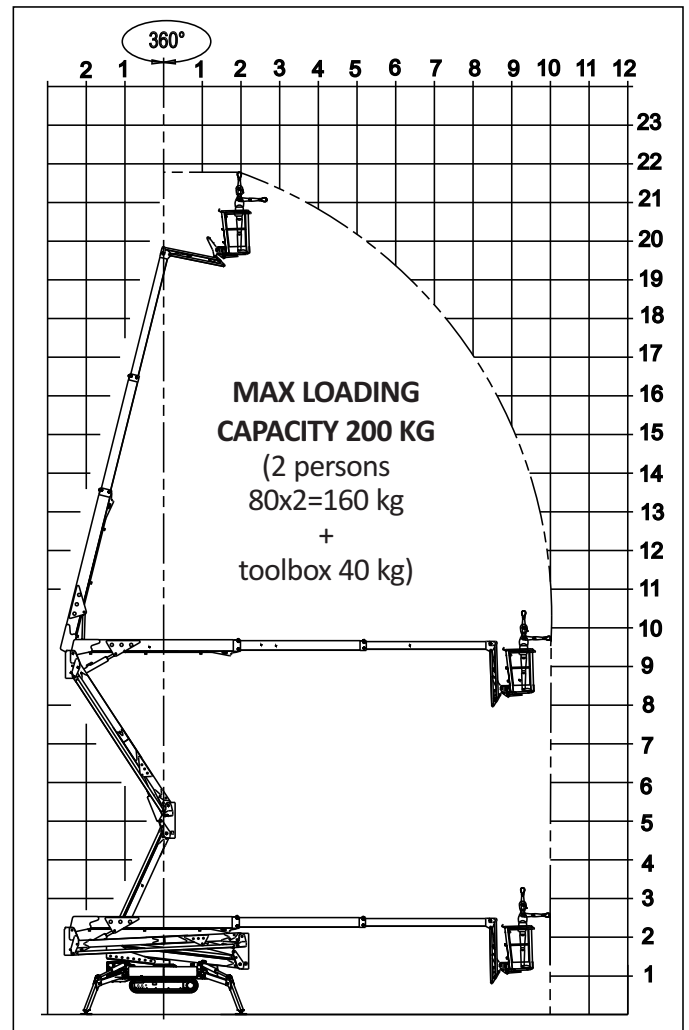
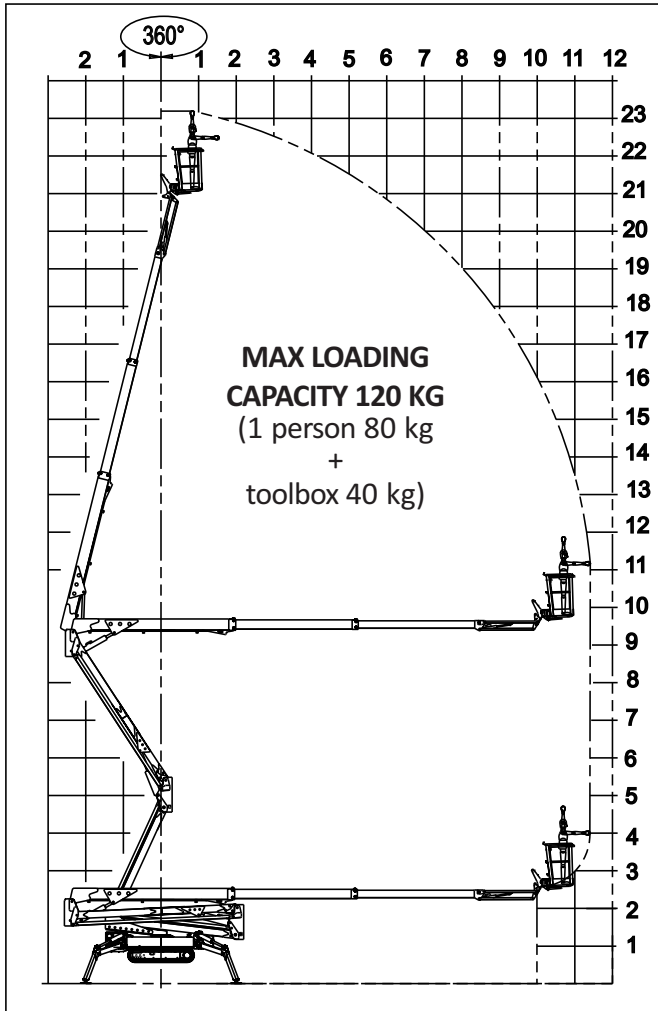
TRACKED AERIAL
PLATFORMS



LIGHTLIFT 23.12 **III**S



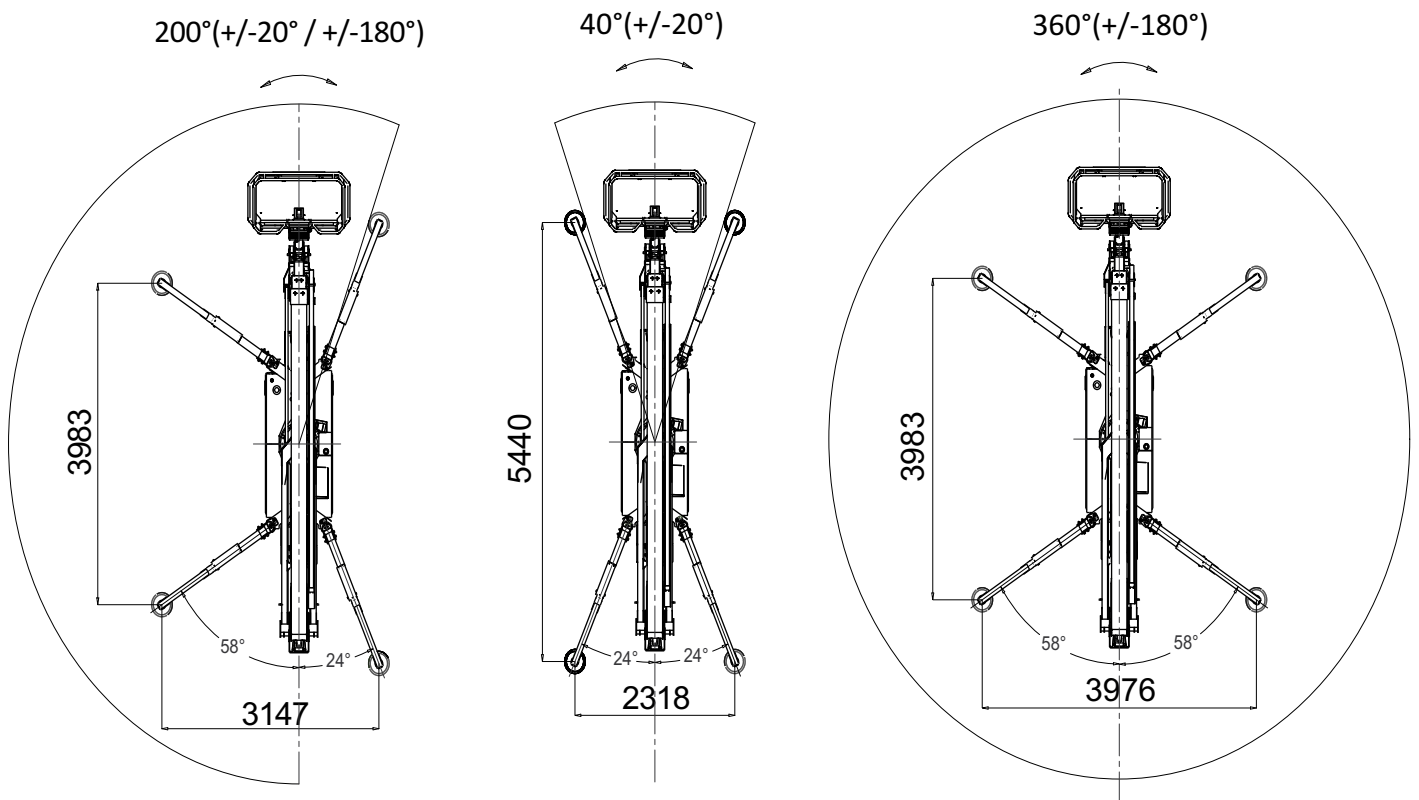
LIGHTLIFT 23.12 III S



LIGHTLIFT 23.12 III S

STANDARD VARIABLE AREA

Outriggers can deploy in different positions.
This solution enables to set up the machine even in the narrowest places.



LIGHTLIFT 23.12 III S

PETROL ENGINE

Brand.....HONDA
 TypeiGX440
 Pistons no. and displacementsingle-cylinder 440 cc
 Max. gross power 12,7 HP -9,5 KW @ 3600 rpm
 Electrical start12 volt

DIESEL ENGINE

Brand.....Perkins
 Type402.05 Autorev
 Pistons no. and displacementdouble-cylinder 510 cc
 Max. gross power 14 HP - 10,2 Kw @ 3600 rpm
 Electrical start12 volt

ELECTRIC MOTOR

Standard230V / 50Hz - 2,2 Kw
 Optional110V / 50Hz - 2,2 Kw

AERIAL PART VALVE BLOCK

Typeelectro-proportional

HYDRAULIC PUMPS

Pump diesel engineno. 2 gear pumps
 Pump electric motorno. 2 gear pumps

TRACKED UNDERCARRIAGE

Track tensionergrease-filled
 Rollers no. per side4 + slide
 Widening system.....990 / 1290 mm
 Translation speed (auto2speed) 1,0 / 1,7 km/h

WEIGHT MACHINE (PETROL / DIESEL ENGINE) 2990 / 3090 kg
DIESEL FUEL TANK 11 liters
MAX UPPER SLANT12,5 m/s
MAX WIND SPEED16° / 28,7%
MAX WIND SPEED 12,5 m/s

TRACKED AERIAL PLATFORMS



LIGHTLIFT 23.12 *MS* LITHIUM *ION*

ELECTRIC SYSTEM

| | |
|---|------------------|
| Electric system voltage..... | 72V-12V |
| Lithium battery pack..... | 7,2 KWh |
| Autonomy (continuous cycle)*..... | 4-5 h |
| Onboard battery charger | 220V 50Hz |
| Optional battery charger | 110V 50Hz |
| Recharge time on flat batteries..... | 4 h (indicative) |
| Recharge time to 80% on flat batteries..... | 2 h (indicative) |

HYDRAULIC PUMPS

| | |
|----------------------|-----------------|
| Electric motor | no.2 gear pumps |
|----------------------|-----------------|

TRACKED UNDERCARRIAGE

| | |
|---------------------------|----------------|
| Track tensioner | grease-filled |
| Rollers no. per side..... | 4 + slide |
| Widening system..... | 990 / 1290 mm |
| Translation speed | 0,7 / 1,2 km/h |

| | |
|-----------------------|-------------|
| WEIGHT MACHINE | 3200 kg |
| MAX UPPER SLANT | 16° / 28,7% |
| MAX WIND SPEED | 12,5 m/s |

* (Autonomy measured with Hinowa H2 operating cycle)