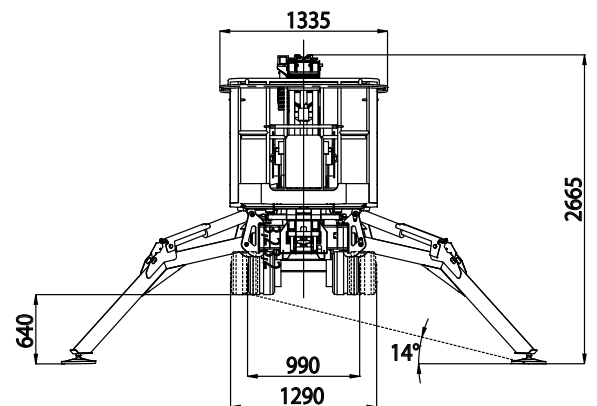
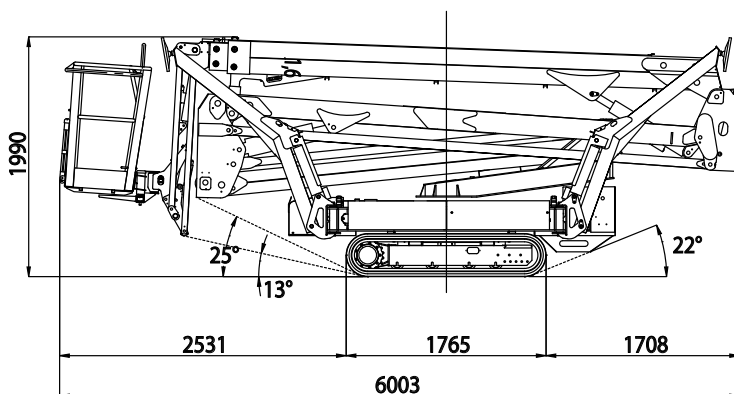
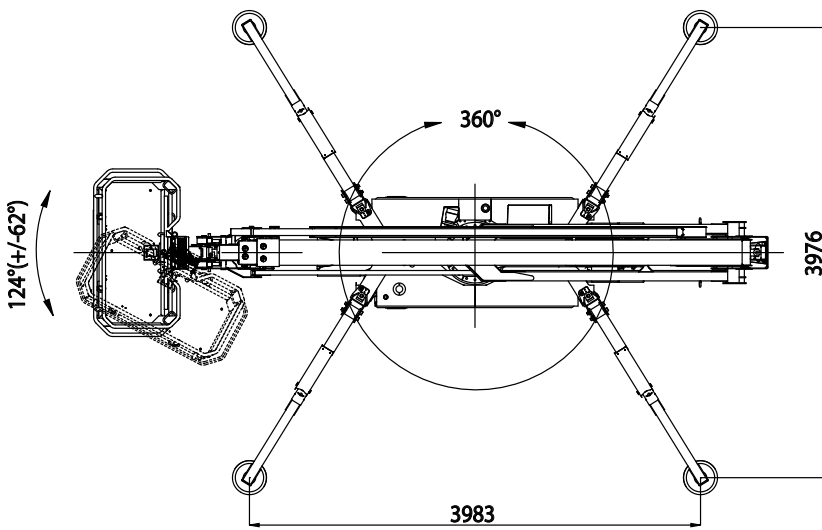


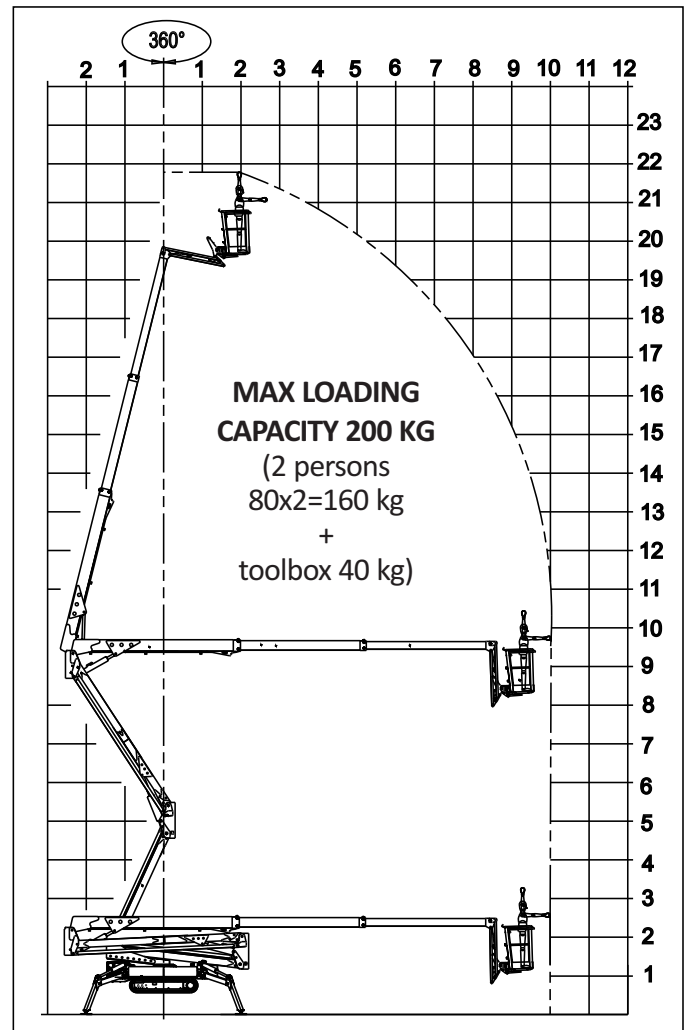
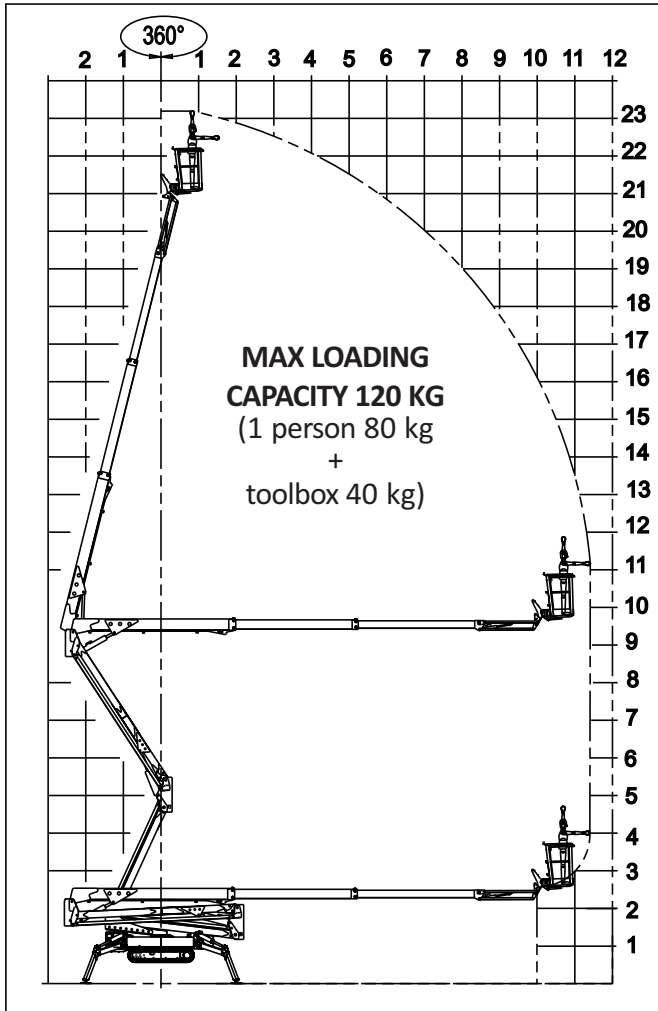
TRACKED AERIAL
PLATFORMS



LIGHTLIFT 23.12 **III**S



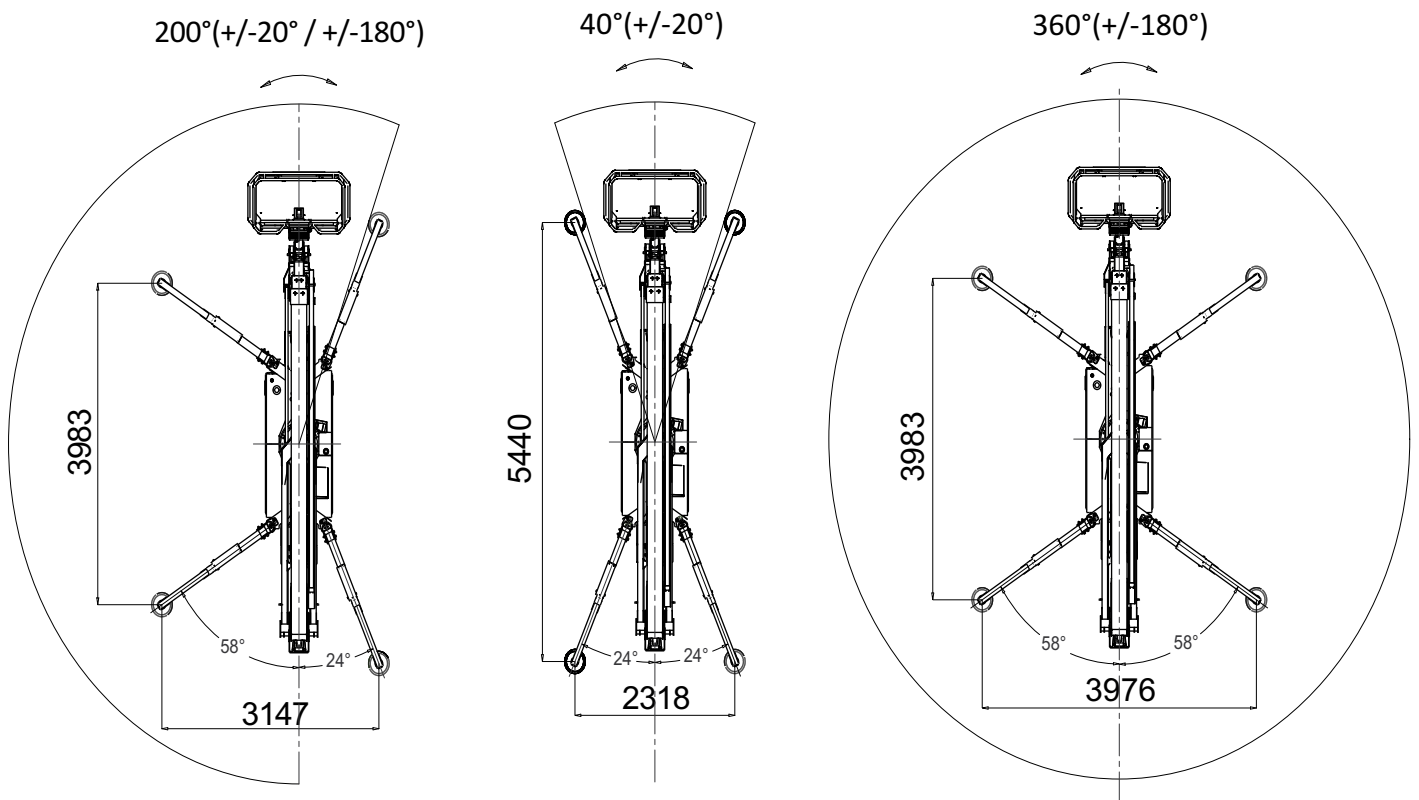
LIGHTLIFT 23.12 III S



LIGHTLIFT 23.12 III S

STANDARD VARIABLE AREA

Outriggers can deploy in different positions.
This solution enables to set up the machine even in the narrowest places.



LIGHTLIFT 23.12 III S

PETROL ENGINE

Brand.....HONDA
 TypeiGX440
 Pistons no. and displacementsingle-cylinder 440 cc
 Max. gross power 12,7 HP -9,5 KW @ 3600 rpm
 Electrical start12 volt

DIESEL ENGINE

Brand.....Perkins
 Type402.05 Autorev
 Pistons no. and displacementdouble-cylinder 510 cc
 Max. gross power 14 HP - 10,2 Kw @ 3600 rpm
 Electrical start12 volt

ELECTRIC MOTOR

Standard230V / 50Hz - 2,2 Kw
 Optional110V / 50Hz - 2,2 Kw

AERIAL PART VALVE BLOCK

Typeelectro-proportional

HYDRAULIC PUMPS

Pump diesel engineno. 2 gear pumps
 Pump electric motorno. 2 gear pumps

TRACKED UNDERCARRIAGE

Track tensionergrease-filled
 Rollers no. per side4 + slide
 Widening system.....990 / 1290 mm
 Translation speed (auto2speed) 1,0 / 1,7 km/h

WEIGHT MACHINE (PETROL / DIESEL ENGINE) 2990 / 3090 kg
DIESEL FUEL TANK 11 liters
MAX UPPER SLANT12,5 m/s
MAX WIND SPEED16° / 28,7%
MAX WIND SPEED 12,5 m/s

TRACKED AERIAL PLATFORMS



LIGHTLIFT 23.12 *MS* LITHIUM *ION*

ELECTRIC SYSTEM

Electric system voltage.....	72V-12V
Lithium battery pack.....	7,2 KWh
Autonomy (continuous cycle)*.....	4-5 h
Onboard battery charger	220V 50Hz
Optional battery charger	110V 50Hz
Recharge time on flat batteries.....	4 h (indicative)
Recharge time to 80% on flat batteries.....	2 h (indicative)

HYDRAULIC PUMPS

Electric motor	no.2 gear pumps
----------------------	-----------------

TRACKED UNDERCARRIAGE

Track tensioner	grease-filled
Rollers no. per side.....	4 + slide
Widening system.....	990 / 1290 mm
Translation speed	0,7 / 1,2 km/h

WEIGHT MACHINE	3200 kg
MAX UPPER SLANT	16° / 28,7%
MAX WIND SPEED	12,5 m/s

* (Autonomy measured with Hinowa H2 operating cycle)