

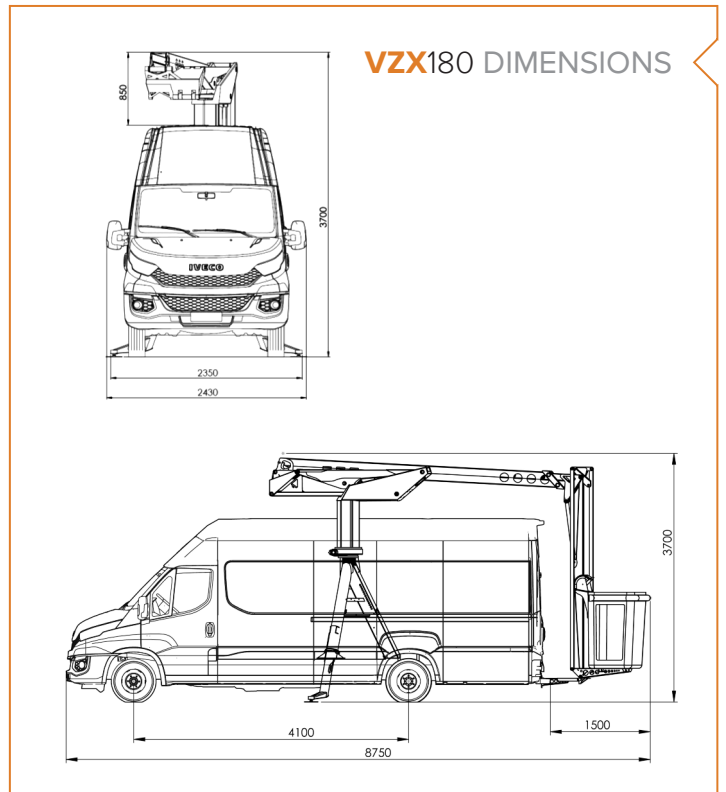
VZX180

VAN MOUNTED PLATFORM

Telescopic boom with jib and articulating riser

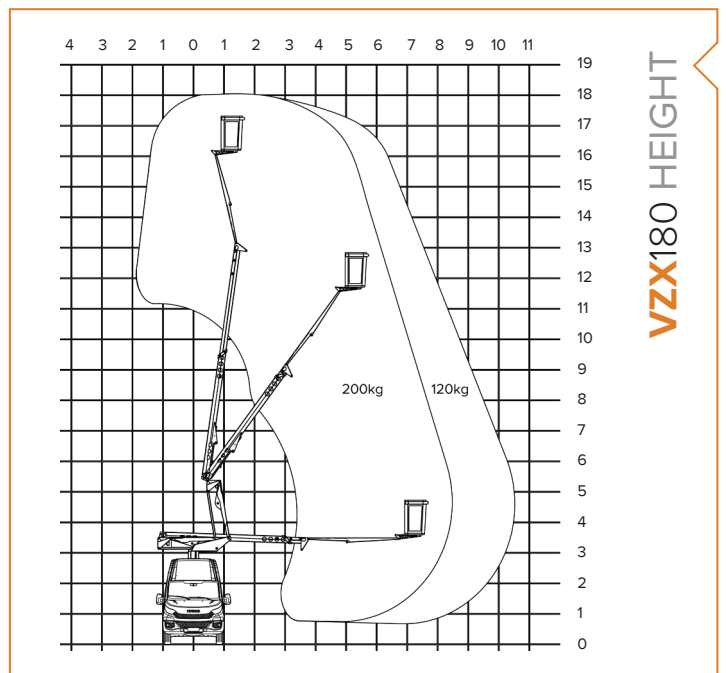
Electro-hydraulic proportional controls with automatic load/outreach optimisation

- Two hydraulic stabilisers, independent control from cab
- 'Stabilisers set' and 'Ready for travel' indicator lights
- Stabiliser / boom interlocks
- Engine stop/start at platform and base controls
- Electro-hydraulic base controls on wander lead
- 'PTO engaged' and 'Stabilisers not retracted' warning lights in cab
- 12V DC emergency power pack & hydraulic hand pump
- 'Duck under' GRP platform with 2 x harness points
- Booms painted yellow RAL 1023 with white platform and knuckle



SPECIFICATIONS

Maximum working height	18.0m
Maximum platform floor height	16.0m
Maximum working outreach	11.0m
Maximum SWL in platform	200kg
SWL at maximum outreach	90kg
Jib articulation	110°
Turret rotation	365°
Vehicle	Iveco 50C 4100 H3
GVW	5200kg
Wheelbase	4100mm
Approx. spare payload with 2 crew and full fuel tank	1050kg



FOR SALES, PARTS & SERVICE

Access Platform Sales Ltd
 Shropshire House Hortonwood 1
 Telford Shropshire TF1 7GN UK
 T 0845 108 4000 F 01480 891 162
 E sales@iapsgroup.com iapsgroup.com