



(A) 17.1m  
56ft



(B) 15.1m  
49ft 6in



(C) 8.7m  
28ft 6in



200kg  
440lbs



1.1m x 0.65m  
3ft 7in x 2ft 2in



100°



(D) 2.1m  
6ft 11in



(F) 1.6m  
5ft 3in



(G) 4.4m  
14ft 5in



(J) 5.6m  
18ft 4in



8.3km/h  
5.2mph



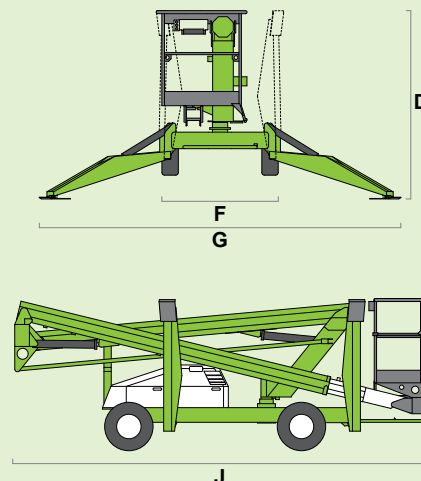
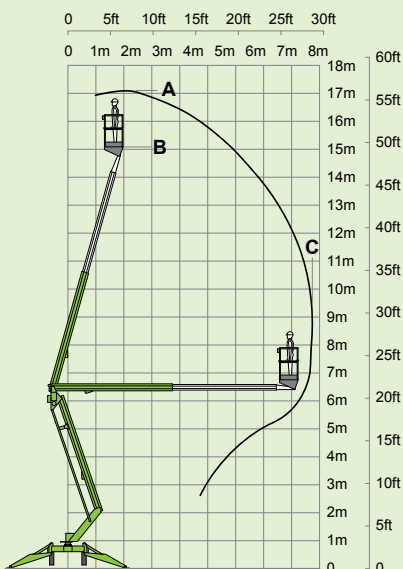
5.2m  
17ft



30%  
17°



2750kg  
6000lbs



SiOPS® toughcage