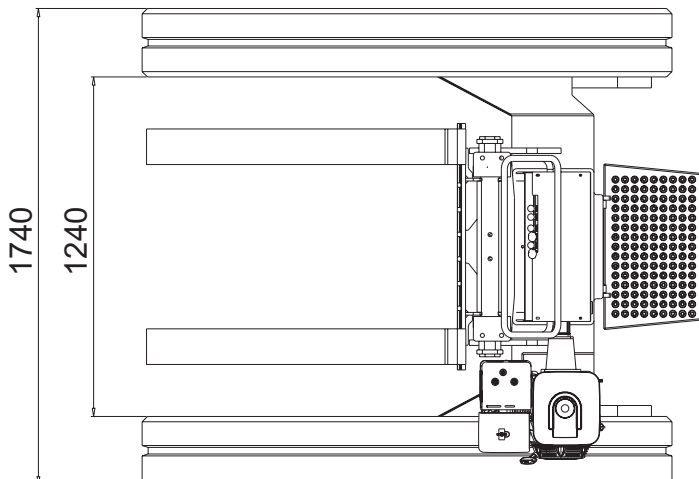
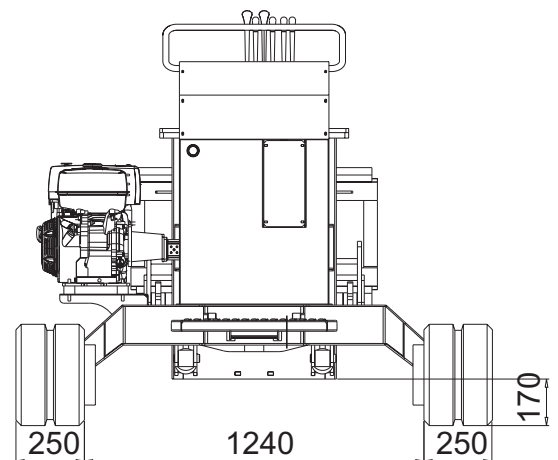
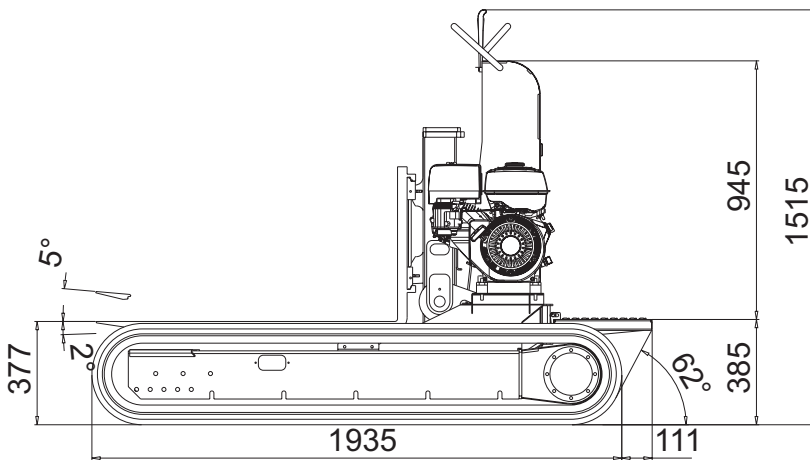
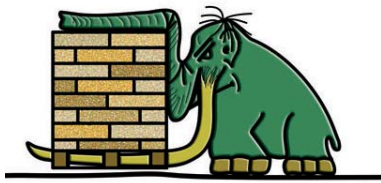


TRACKED FORKLIFT TP2000





GREEN MAMMOTH®

Hinowa®

TRACKED FORKLIFT TP2000

PETROL ENGINE

BrandHONDA
TypeGX390
Pistons and displacementsingle-cylinder 389 cm³
Max gross power @ rev/min.....13 HP - 9,6 Kw @ 3600 rpm
Max gross power3500 rpm
Start.....manual

DISTRIBUTOR

TypeMechanical

HYDRAULIC PUMP

Type and numbern° 3 x 4 cm³
Liters/min capacity15 l/m

DRIVE MOTOR

Typeorbital
Displacement100 cc

TRACKS

Track tensionergrease track tensioner
Dimensions.....250 x 57 x 52 mm
Rollers per side.....5
Translation speed.....1,5 km/h - 2,2 km/h
Fixed undercarriage.....1740 mm
Nominal capacity (incl. kit)2000 kg

OPERATING WEIGHT (without operator)845 kg

FUEL TANK

Petrol6,5 liters