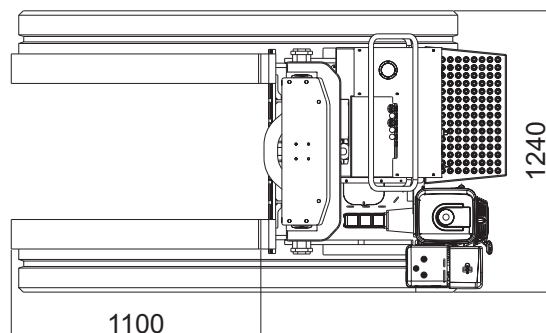
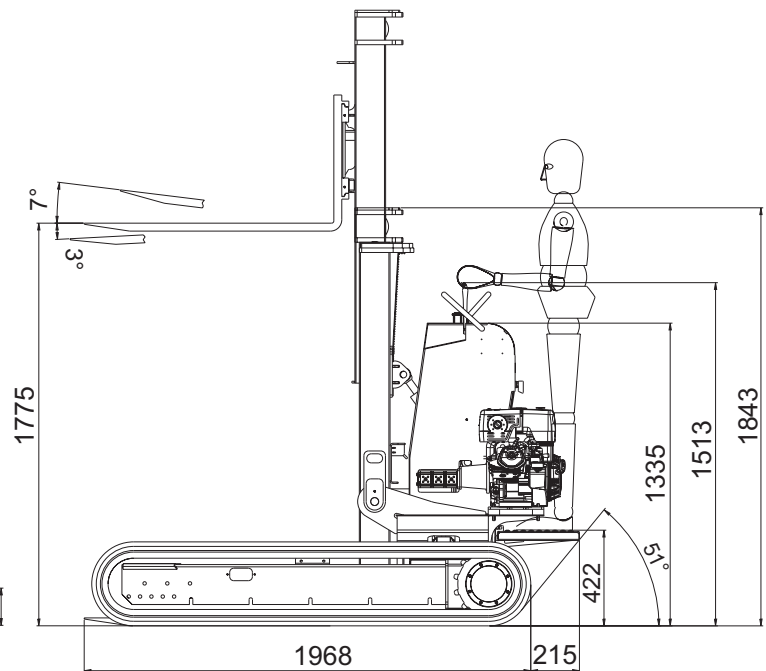
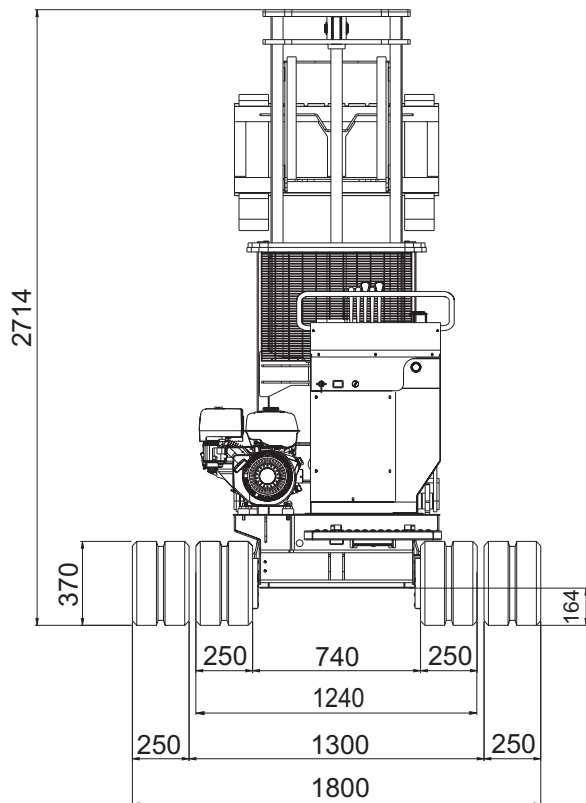
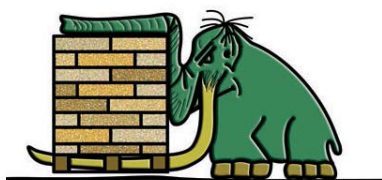


### TRACKED FORKLIFT TP1600 WITH HYDRAULIC WIDENING





**GREEN MAMMOTH®**

**Hinowa®**

## **TRACKED FORKLIFT TP1600 WITH HYDRAULIC WIDENING**

### **PETROL ENGINE**

Brand .....HONDA  
Type .....GX390  
Pistons and displacement .....single-cylinder 389 cm<sup>3</sup>  
Max gross power @ rev/min.....13 HP - 9,6 Kw @ 3600 rpm  
Max gross power .....3500 rpm  
Start..... electric

### **DISTRIBUTOR**

Type .....Mechanical

### **HYDRAULIC PUMP**

Type and number..... n° 3 x 4 cm<sup>3</sup> gear pumps  
Liters/min capacity .....15 l/m  
Pressure .....185 bar P1 - P2 /140 bar P3  
Tank capacity .....49 l

### **DRIVE MOTOR**

Type .....orbital  
Displacement .....100 cc

### **TRACKS**

Track tensioner .....grease track tensioner  
Dimensions.....250 x 57 x 72 mm  
Rollers per side .....5  
Translation speed.....1,5 km/h - 2,2 km/h  
Hydraulic widening .....1240 ÷ 1800 mm  
Nominal capacity (incl. kit ) ..... 1600 kg  
Ground pressure .....0,38 kg/cm<sup>2</sup>

**OPERATING WEIGHT (without operator) .....1330 kg**

### **FUEL TANK**

Petrol .....6,5 liters