

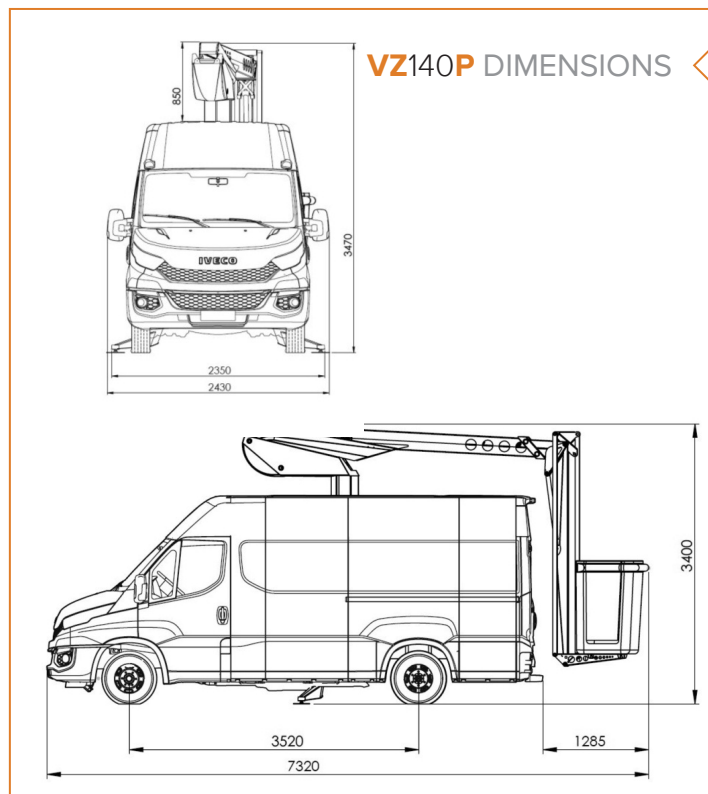
# VZ140P

## VAN MOUNTED PLATFORM

Telescopic boom with jib

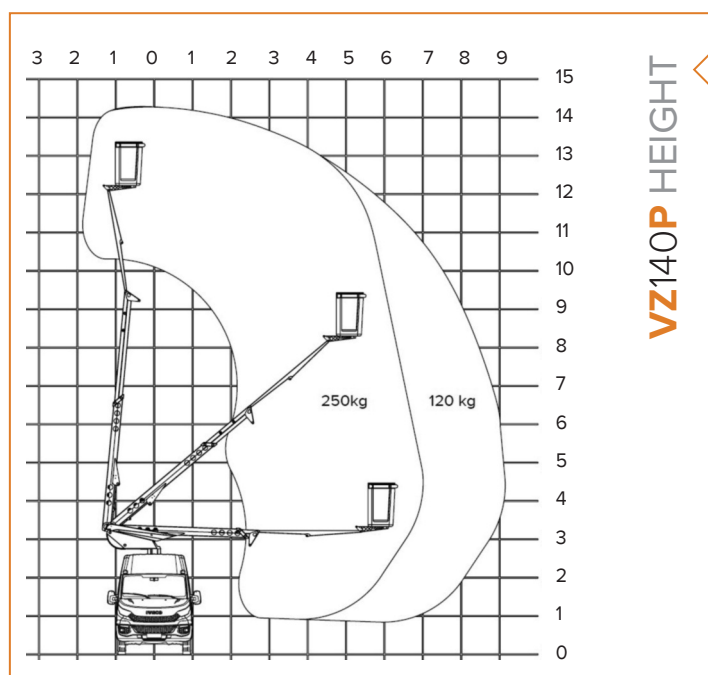
Electro-hydraulic proportional controls with automatic load/outreach optimisation

- Two hydraulic stabilisers, independent control from cab
- 'Stabilisers set' and 'Ready for travel' indicator lights
- Stabiliser / boom interlocks
- Engine stop/start at platform and base controls
- Electro-hydraulic base controls on wander lead
- 'PTO engaged' and 'Stabilisers not retracted' warning lights in cab
- 12V DC emergency power pack & hydraulic hand pump
- 'Duck under' GRP platform with 2 x harness points
- Booms painted yellow RAL 1023 with white platform and knuckle



### SPECIFICATIONS

Maximum working height	14.1m
Maximum platform floor height	12.1m
Maximum working outreach	9.2m
Maximum SWL in platform	250kg
SWL at maximum outreach	120kg
Jib articulation	110°
Turret rotation	365°
Vehicle	Iveco Daily 50C H2 Roof
GVW	5200kg
Wheelbase	3520mm (L)
Approx. spare payload with 2 crew and full fuel tank	1574kg



### FOR SALES, PARTS & SERVICE

Access Platform Sales Ltd  
 Shropshire House Hortonwood 1  
 Telford Shropshire TF1 7GN UK  
 T 0845 108 4000 F 01480 891 162  
 E sales@iapsgroup.com iapsgroup.com