

VZ140P-T

VAN MOUNTED PLATFORM

Telescopic boom with jib

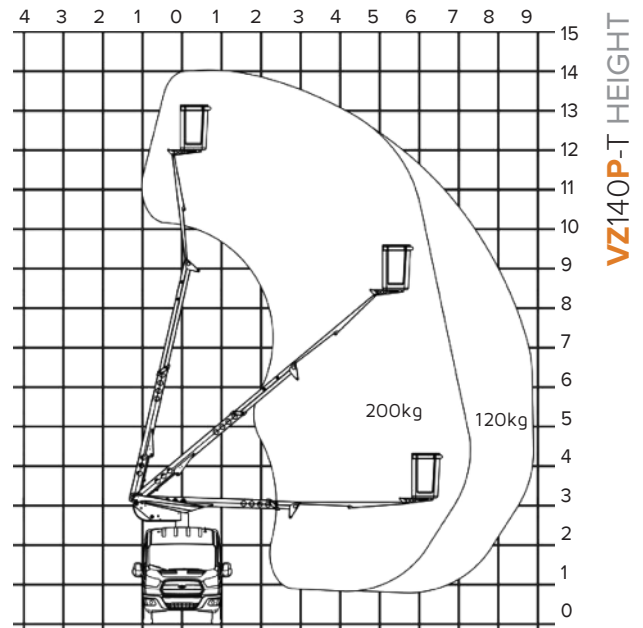
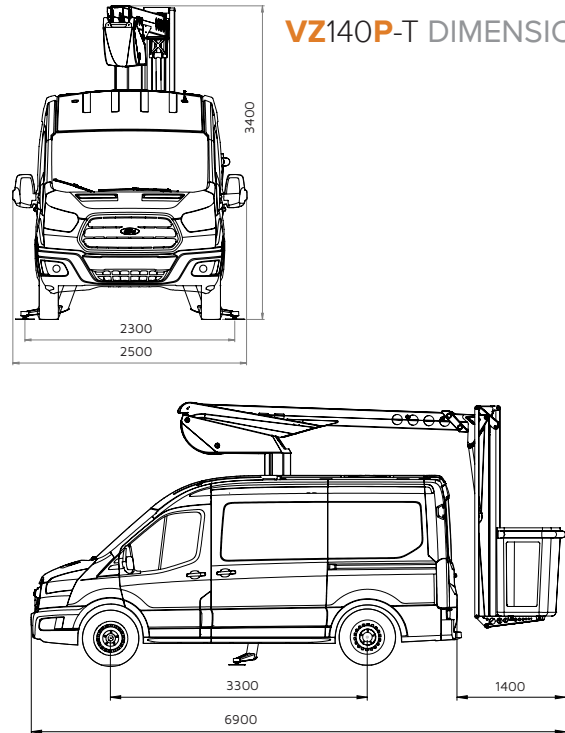
Electro-hydraulic proportional controls with automatic load/outreach optimisation

- Two hydraulic stabilisers, independent control from cab
- 'Stabilisers set' and 'Ready for travel' indicator lights
- Stabiliser / boom interlocks
- Engine stop/start at platform and base controls
- Electro-hydraulic base controls on wander lead
- 'PTO engaged' and 'Stabilisers not retracted' warning lights in cab
- 12V DC emergency power pack & hydraulic hand pump
- 'Duck under' GRP platform with 2 x harness points
- Booms painted

SPECIFICATIONS

Maximum working height	13.9m
Maximum platform floor height	12.0m
Maximum working outreach	9.08m
Maximum SWL in platform	200kg
SWL at maximum outreach	120kg
Jib articulation	110°
Turret rotation	365°
Vehicle	Ford Transit 350, L2, H2 - FWD (Front Wheel Drive)
GVW	3500kg
Wheelbase	3300mm
Approx. spare payload with 2 crew and full fuel tank	400kg

VZ140P-T DIMENSIONS



FOR SALES, PARTS & SERVICE

Access Platform Sales Ltd
 Shropshire House Hortonwood 1
 Telford Shropshire TF1 7GN UK
 T 0845 108 4000 F 01480 891 162
 E sales@iapsgroup.com iapsgroup.com