

PUSH AROUND MAST LIFTS

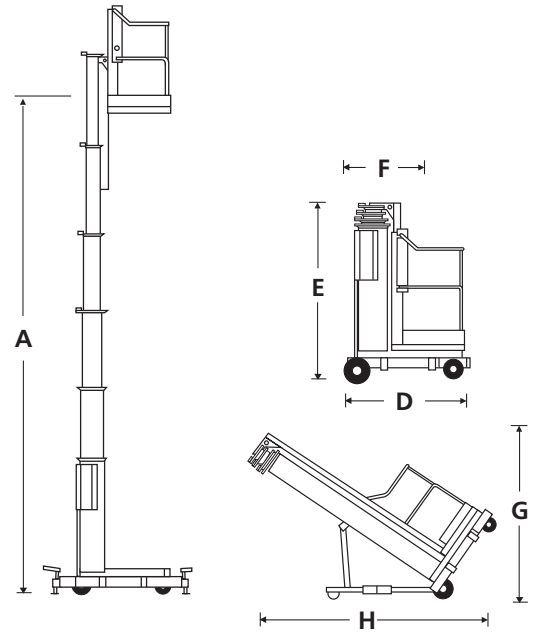
UL Series

DIMENSIONS	UL25	UL32	UL40
Max. working height	9.6m	11.7m	14.2m
Max. platform height (A)	7.6m	9.7m	12.2m
Platform length	0.56m	0.56m	0.56m
Platform width	0.66m	0.66m	0.66m
Outrigger footprint (B x C)	1.50m x 1.43m	2.06m x 1.99m	2.34m x 2.26m
Overall width (F)	0.74m	0.74m	0.74m
Overall length (D)	1.26m	1.32m	1.32m
Stowed height (E)	1.99m	2.53m	2.90m
Tilt back length (H)	2.64m	2.72m	3.05m
Tilt back height (G)	1.89m	2.28m	2.72m

PERFORMANCE			
Platform capacity (SWL)	159kg	136kg	136kg
Max operating wind speed	0m/s	0m/s	0m/s
Raise/lower time	43/23 seconds	57/26 seconds	60/40 seconds
Wheels	250mm x 64mm rear, 150mm castors front		
Controls	push button		
Wall access (Distance from front of platform to wall)	102mm	356mm	508mm

POWER		
Power source (AC)	120/220V AC 50HZ	
Power source (DC)	1 X 12V 105AH battery	

WEIGHT			
Gross weight (AC)	349kg	417kg	449kg
Gross weight (DC)	367kg	435kg	467kg



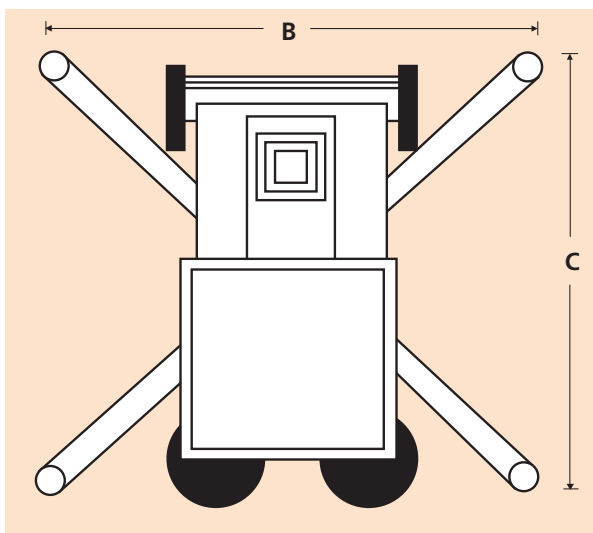
STANDARD FEATURES

- Tilt-back mechanism
- Outrigger interlock indicators
- Power cable to platform (no sockets)
- Integrated battery charger (DC only)
- Non-marking wheels & castors
- CE approved

OPTIONS

- Special paint colours
- Tool tray
- Canvas bag for fluorescent tubes
- Laser locator
- Environmental green oil

OUTRIGGER FOOTPRINT



snorkel www.snorkellifts.com

Vigo Centre, Birtley Road,
Washington, Tyne & Wear,
NE38 9DA, U.K.

t: +44 (0) 845 1550 057
e: sales@snorkellifts.com