

nifty



HR17N

SELF PROPELLED ACCESS PLATFORM



17.20m (56ft 5in)

Working height

9.90m (32ft 6in)

Working Outreach

1.50m Narrow Chassis

Allows operation in
confined areas

**Bi-Energy Power
Available**

Optimising utilisation

225kg SWL

Extra capacity for tools
and materials

Telescopic Upper Boom

Greater accuracy when
positioning platform

**Platform Rotation
& Flyboom**

Improving manoeuvrability
on site



niftylift.com



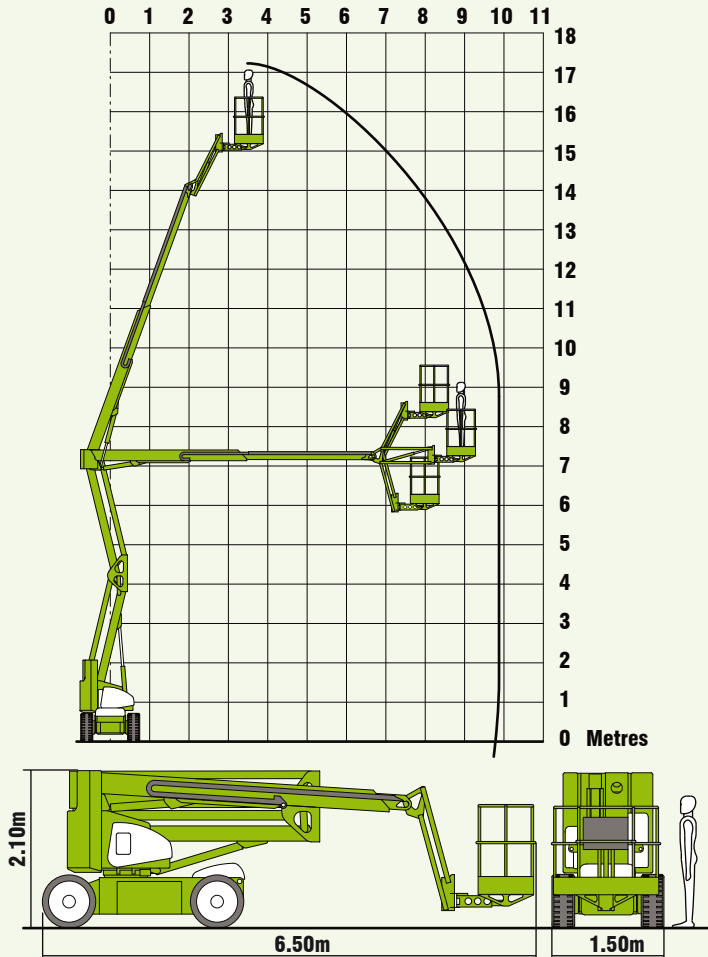
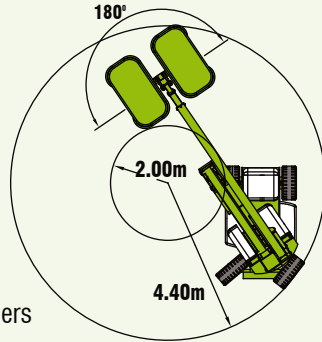
nifty

Heightrider 17N

The Nifty **Height Rider 17N** (HR17N) will lift 2 men and their tools to a working height of 17.20m or an outreach of 9.90m. Its impressive 180° platform rotation and 150° flyboom provide exceptional control when positioning the platform making tasks quicker and easier to perform. A super narrow 1.50m width base enables travel in restricted access areas and optional Bi-Energy power makes the **HR17N** even more versatile, allowing it to work both inside and out with equal ease.

SAFETY FEATURES

- Manual Recovery with Hand Pump
- Automatic Fail-Safe Brakes
- CE Mark
- Tilt Alarm
- Solid Tyres
- Dual Harness Points
- Dual Controls (platform & base)
- Lock Valves on all Hydraulic Cylinders



Due to a policy of continuing development and improvement, Niftylift reserves the right to change any specification without notice. Please confirm exact specification before ordering.



The Nifty **HR17N's** narrow base and outstanding outreach are ideal for tasks where floor space is limited or crowded and optional non-marking tyres make it perfect for industrial or maintenance work.

SPECIFICATIONS

| | | |
|--------------------------------|--|--------------------|
| Working Height | 17.20m | 56ft 5in |
| Platform Height | 15.20m | 49ft 10in |
| Working Outreach | 9.90m | 32ft 6in |
| Slew | 360° | |
| Flyboom Arc | 150° | |
| Width | 1.50m | 4ft 11in |
| Height | 2.10m | 6ft 11in |
| Length - Stowed | 5.20m | 17ft 1in |
| - Overall | 6.50m | 21ft 4in |
| Minimum Weight | 7,200kg* | 15,900lbs* |
| Turning Radius - Inside | 2.00m | 6ft 7in |
| - Outside | 4.40m | 14ft 5in |
| Platform Rotation | 180° | |
| Platform Capacity | 225kg | |
| Platform Size | 1.50m x 0.70m | 4ft 11in x 2ft 4in |
| Drive Speed | 4kph | 2.5mph |
| Gradeability | 25% | |
| Control System | Fully Proportional Hydraulic | |
| Power System | Battery Only | |
| | LPG Only | |
| | Bi-Energy - Battery & Kubota 722 18Hp Diesel | |

* Weights may vary according to specification, please confirm before ordering.

Supplied by:

Manufacturers of trailer mounted, self propelled and vehicle mounted platforms.

NIFTYLIFT LTD
Fingle Drive
Stonebridge
Milton Keynes
MK13 0ER
England

www.niftylift.com

e-mail: info@niftylift.com
Tel.: +44 (0) 1908 223456
Fax.: +44 (0) 1908 312733

