

Sigma Telescopic Platform



Z32

The Z32 features the unique sigma/3-stage-telescopic and fly-boom configuration enabling maximum outreach from 2.5m right up to 15m. 32m working height and up to 20m up & over outreach from a 3.2m outrigger width the zero tailswing Z32 is ideal for tight city environments.

The Z32 shares the proven 'Z' control system of its smaller relations: simple proportional controls, basket load sensing, load sensing outrigger interlocks. The Z32 is fitted with automatic self-levelling outriggers.

The Z32 is supplied mounted and fully fitted as standard to a compact 18 tonne GVW chassis (other chassis are available on request). This includes vehicle PTO, cab-mounted display for PTO hour clock and outriggers status, full aluminium decking and access steps to basket.

Operating Dimensions

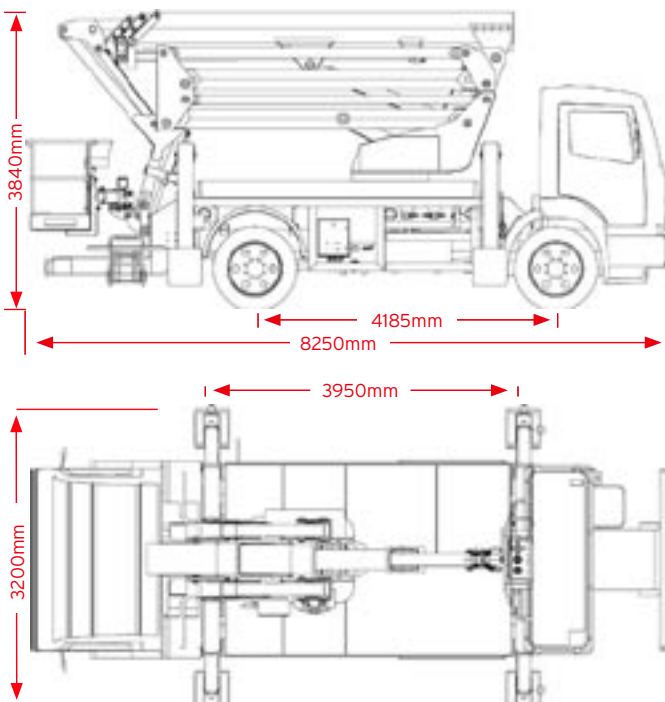
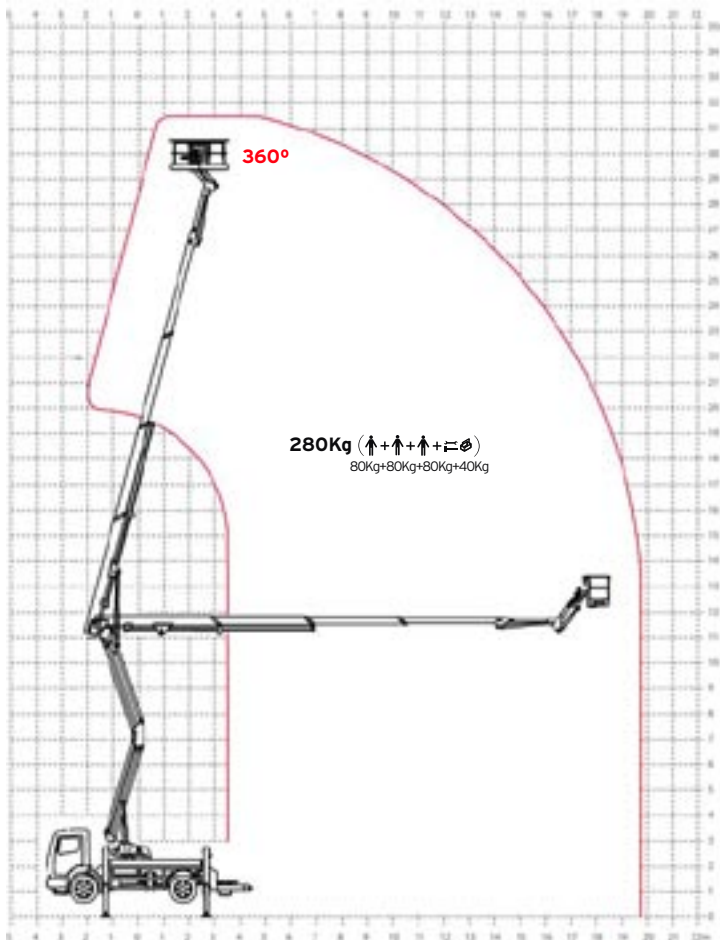
- Working Height 32.0m
- Working Outreach 20.0m
- Safe Working Loads 280Kg
- Automatic Outrigger Self-levelling
- Compact 18 tonne GVW chassis





Z32

Sigma Telescopic Platform



Specifications

Operating Dimensions

Working Height	32.0m
Platform Height	30.0m
Outreach from Centre	20.0m
Outrigger Footprint	(WxL) 3.2m x 3.95m
Rotation	360° Continuous

Basket

Rotation	90° + 90°
Safe Working Load	280Kg
Dimensions	2.4mx0.8mx1.1m(H)

Closed Dimensions

Length	8.25m
Width	vehicle
Height	3.84m
GVW	18000Kg
Kerb Weight (Iveco 180E24K)	17520 Kg

Safety Features

- Pressure sensitive outrigger interlocks c/w LED display
- Fail safe hydraulic circuit with check valves on all cylinders
- Automatic Basket overload sensing c/w alarm Indicator and cut out
- Zero Tailswing (does not project outside outrigger width)
- Full manual override for all functions (12v DC Optional)
- CE marked & meets or exceeds UK & European safety legislation

Technical Features

- Steel Chassis subframe and boom superstructure
- 4 No. 'A'-shape hydraulic outriggers (Auto Levelling for UK)
- Aluminium checker plate decking with 150 mm tool tray walls
- Basket made of structural grade aluminium tube, dimensions 2400 x 800 x 1100mm
- Two stage Sigma + 2 stage telescopic top boom + fly.
- Continuous 360° turret rotation on turntable roller bearing
- Smooth, proportional electro-hydraulic controls at ground and basket
- Vehicle motor start and stop functions from basket and ground
- Hydraulic basket rotation 90° right + 90° left
- Hydraulic parallelogram system for basket levelling function
- Hydraulic system powered by vehicle power take off
- Power takeoff/handbrake interlock
- Flashing beacon mounted to cab roof
- 110v AC outlet in basket
- PTO Hour-meter & Outrigger function display in the cab
- Standard colours RAL colour blue 5017 and white

Can be mounted on 18tonne GVW chassis and upwards. Iveco is standard but can be mounted on, Mercedes, Renault, Volvo, Scania etc. Please ask for further details